

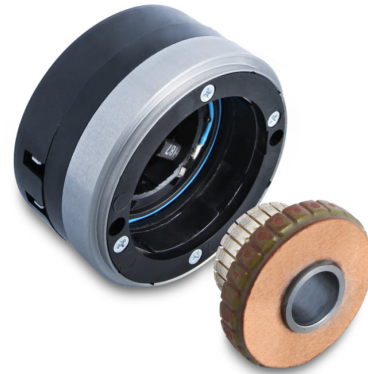
## GT 5

Blind hollow shaft  $\varnothing 8 \dots 12$  mm

Housing  $\varnothing 52$  mm, bearingless configuration

### Overview

- Low response time
- Open circuit voltage 7...10 mV per rpm
- Blind hollow shaft  $\varnothing 8 \dots 12$  mm
- High signal quality due to patented LongLife technology
- No auxiliary energy source required



**HUBNER**  
BERLIN  
A Baumer Brand

### Technical data

#### Technical data - electrical ratings

Reversal tolerance	$\leq 0.1$ %
Linearity tolerance	$\leq 0.15$ %
Temperature coefficient	$\pm 0.005$ %/K (open-circuit)
Isolation class	B
Calibration tolerance	$\pm 5$ %
Climatic test	Humid heat, constant (IEC 60068-2-3, Ca)
Performance	0.075 W (speed $\geq 5000$ rpm)
Armature-circuit time-constant	$< 4.5$ $\mu$ s
Open-circuit voltage	7...10 mV per rpm
Interference immunity	EN 61000-6-2
Emitted interference	EN 61000-6-3
Approval	CE

#### Technical data - mechanical design

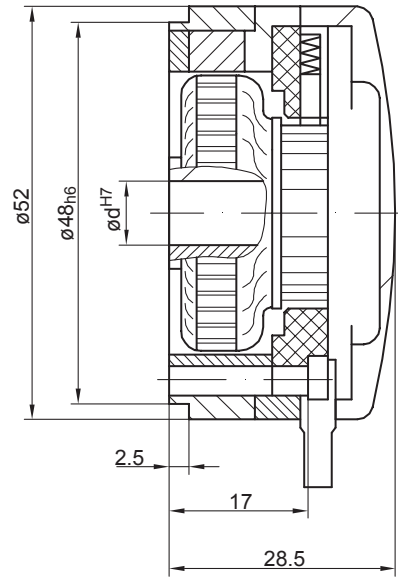
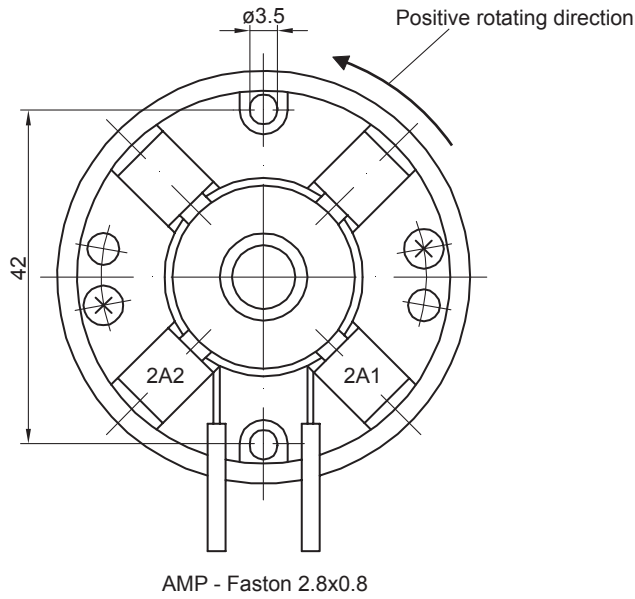
Size (flange)	$\varnothing 52$ mm
Shaft type	$\varnothing 8 \dots 12$ mm (blind hollow shaft)
Protection EN 60529	IP 00 IP 44 (with cover)
Torque	0.3 Ncm
Rotor moment of inertia	0.05 kgcm <sup>2</sup>
Material	Housing: stainless steel / plastic Shaft: stainless steel
Operating temperature	-30...+130 °C
Resistance	IEC 60068-2-6 Vibration 10 g, 10-2000 Hz IEC 60068-2-27 Shock 100 g, 6 ms
Weight approx.	150 g
Connection	Plug-in terminals

# GT 5

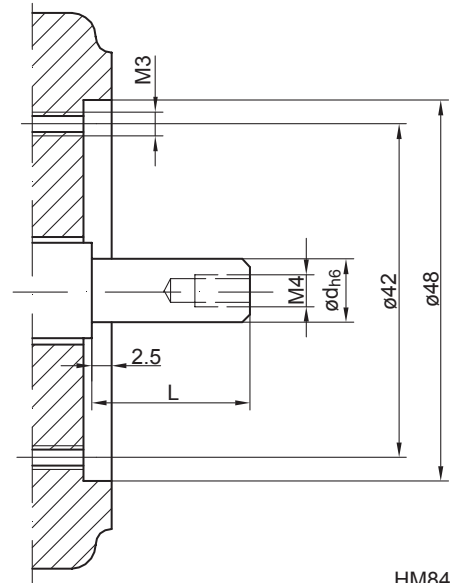
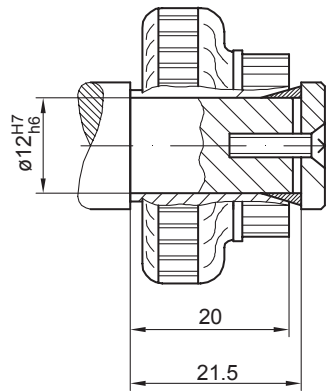
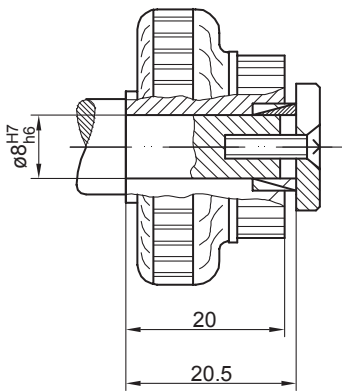
Blind hollow shaft  $\varnothing 8 \dots 12$  mm

Housing  $\varnothing 52$  mm, bearingless configuration

## Dimensions



$\varnothing d$	L
8	19.5
12	20.5



HM84M19780

# GT 5

Blind hollow shaft ø8...12 mm

Housing ø52 mm, bearingless configuration

## Ordering reference

GT5.05L/4 ##

## Product

Tachogenerator

GT5.05L/4

## Open-circuit voltage

7 mV per rpm	07
9.5 mV per rpm	09
10 mV per rpm	10

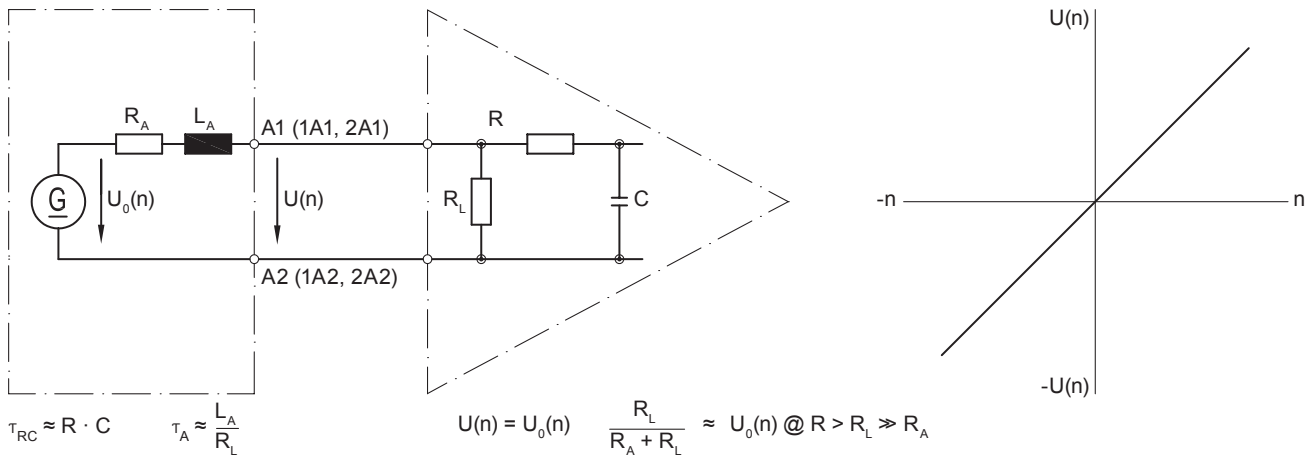
## Data according to type

Type	Off-load voltage $U_0$ [mV/rpm]	Minimum load required depending on speed range [rpm]			Maximum operating speed $n_{max}$ [rpm]	Armature resistance $R_A$ (20°C) [Ω]	Armature inductance $L_A$ [mH]
		0-3000 $R_L$ [kΩ]	0-6000 $R_L$ [kΩ]	0- $n_{max}$ $R_L$ [kΩ]			
GT5.05L/407	7	≥10	≥23	≥65	10000	240	45
GT5.05L/409	9.5	≥18	≥44	≥121	10000	410	80
GT5.05L/410	10	≥20	≥48	≥133	10000	430	85

Superimposed ripple (for  $\tau_{RC} = 0.3$  ms):      ≤0.7% (peak-peak)      ≤0.35% (rms)

## Equivalent circuit diagram

Tachogenerator



Polarity for positive rotating direction (see dimension) / A1 (1A1, 2A1): + (VDE) / A2 (1A2, 2A2): - (VDE)

## Accessories

### Mounting accessories

Mounting cone (on request)