

A.C.N. TRANSFORMERS

T/A

A.C.N. AURO AGENCIES

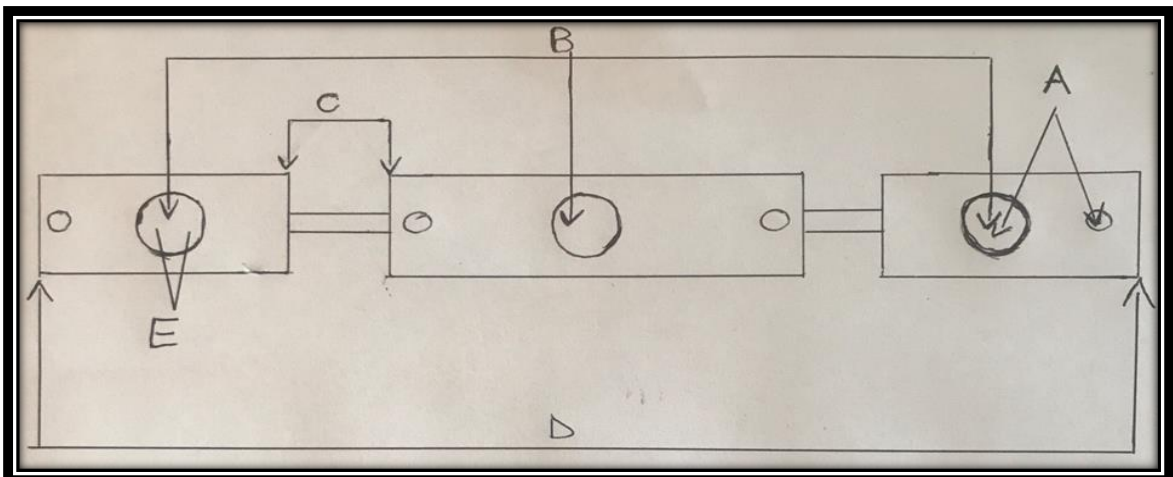
CK2006/063836/23

VAT # 4710120215

DUAL SHUNT DIMENSIONS

AMP	MV	CENTRE	LENGTH	BLOCK SIZE	HOLE SIZE
5A	50MV	85	203	12.7 X 8	6.5
10A	50MV	85	210	12.7 X 8	6.5
15A	50MV	85 </td <td>210</td> <td>12.7 X 8</td> <td>6.5</td>	210	12.7 X 8	6.5
20A	50MV	85	195	12.7 X 8	6.5
25A	50MV	85	204	12.7 x 8	6.5
30A	50MV	85	204	12.7 X 8	6.5
40A	50MV	85	186	12.7 X 8	6.5
50A	50MV	85	193	19.05 X 9.53	8.5
75A	50MV	85	184	19.05 X 9.53	8.5
100A	50MV	85	195	19.05 X 9.53	8.5
150A	50MV	85	200	25 X 10	11
200A	50MV	85	210	25 X 10	11

DRAWING SPEC



MV 50	A	B	C	D	E
5A	13	85	42	203	6.5
10A	13	85	45	209	6.5
15A	13	85	40	199	6.5
20A	18	85	35	189	6.5
25A	13	85	42	204	6.5
30A	13	85	42	204	6.5
40A	19	85	33	186	6.5
50A	18	85	39	193	8.5
75A	20	85	32	184	8.5

SINGLE SHUNT DIMENTIONS

AMP	MV	CENTRE	LENGTH	BLOCK SIZE	HOLE SIZE
5A	50MV	85	203	12.7 X 8	6.5
10A	50MV	85	209	12.7 X 8	6.5
15A	50MV	85	199	12.7 X 8	6.5
20A	50MV	85	189	12.7 X 8	6.5
25A	50MV	85	204	12.7 X 8	6.5
30A	50MV	85	204	12.7 X 8	6.5
40A	50MV	85	186	12.7 X 8	6.5
50A	50MV	85	193	12.7 X 8	6.5
75A	50MV	85	184	19.05 X 9.53	6.5
100A	50MV	85	195	19.05 X 9.53	8.5
150A	50MV	85	200	25 X 10	11
200A	50 MV	85	210	25 X 10	11
300A	50MV	107	138	40 X 10	11
400A	50MV	107	135	40 X 10	11

A.C.N. TRANSFORMERS

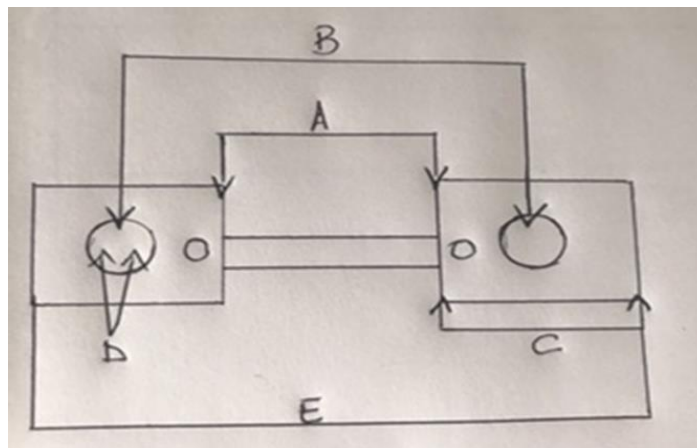
T/A
A.C.N. AURO AGENCIES

CK2006/063836/23

VAT # 4710120215

SINGLE SHUNT DIMENTIONS

AMP	MV	CENTRE	LENGTH	BLOCK SIZE	HOLE SIZE
-----	----	--------	--------	------------	-----------



MV 50	A	B	C	D	E
-------	---	---	---	---	---

100A	39	85	19.05 X 9.53	85	108
300A	38	107	40 X 10	11	138
400A	35	107	40 X 10	11	135
500A	35	107	50 X 12	11	135
600A	34	107	50 X 12	11	135
750A	34	107	50 X 12	11	135
800A	34	107	51 X 19	11	137
1000A	34	107	51 X 91	11	137

AMP	MV	CENTRE	LENGTH	BLOCK SIZE	HOLE SIZE
-----	----	--------	--------	------------	-----------

100A	50MV	85	108	19.05 X 9.53	8.5
200A	50MV	85	108	20 X 10	11
300A	50MV	107	138	40 X 10	11
400A	50MV	107	135	40 X 10	11
500A	50MV	107	135	50 X 12	11
600A	50MV	107	135	50 X 12	11
750A	50MV	107	135	50 X 12	11
800A	50MV	107	137	51 X 91	11
100A	50MV	107	137	51 X 91	11

PLEASE NOTE: THERE ARE 4 CENTER HOLES ON A 750A 34MM APART