



Pipe adapter, for mounting on pipes, black, accessories for built-in lamps, with diameter 70 mm

General technical data			
product designation	Adapter for pipe mounting		
reference code according to IEC 81346-2	U		
material	PA		
color	black		
Mechanical data			
outer diameter of the signal column element	57 mm		
Ambient conditions			
ambient temperature during operation	-20 ... +50 °C		
height	58 mm		
width	57 mm		
Certificates/ approvals			
General Product Approval	EMC	Declaration of Conformity	other

[Confirmation](#)



[Confirmation](#)

Further information

Siemens has decided to exit the Russian market (see here).

<https://press.siemens.com/global/en/pressrelease/siemens-wind-down-russian-business>

Siemens is working on the renewal of the current EAC certificates.

Please contact your local Siemens office on the status of validity of the EAC certification if you intend to import or offer to supply these products to an EAC relevant market (other than the sanctioned EAEU member states Russia or Belarus).

Information on the packaging

<https://support.industry.siemens.com/cs/ww/en/view/109813875>

Information- and Downloadcenter (Catalogs, Brochures,...)

<https://www.siemens.com/ic10>

Industry Mall (Online ordering system)

<https://mall.industry.siemens.com/mall/en/en/Catalog/product?mlfb=8WD5308-0EG>

Cax online generator

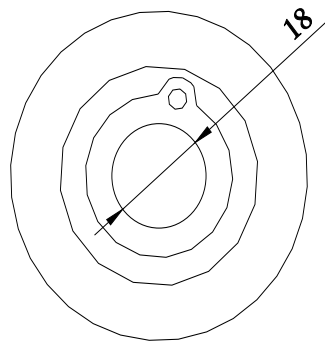
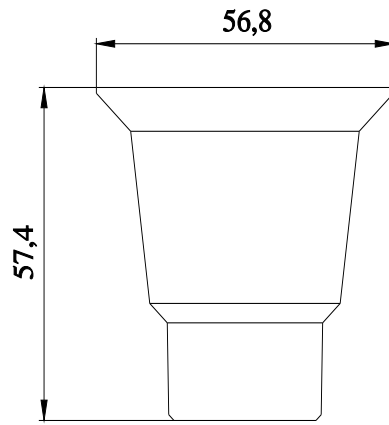
<http://support.automation.siemens.com/WW/CAXorder/default.aspx?lang=en&mlfb=8WD5308-0EG>

Service&Support (Manuals, Certificates, Characteristics, FAQs,...)

<https://support.industry.siemens.com/cs/ww/en/ps/8WD5308-0EG>

Image database (product images, 2D dimension drawings, 3D models, device circuit diagrams, EPLAN macros, ...)

http://www.automation.siemens.com/bilddb/cax_de.aspx?mlfb=8WD5308-0EG&lang=en



last modified:

12/23/2020 