

Connection element, with end cover, black, for floor/angle mounting, with spring-type terminal,



product brand name	SIRIUS	
product designation	Connection element	
design of the product	for floor and bracket mounting,	
<b>General technical data</b>		
reference code according to EN 61346-2	X	
<b>Enclosure</b>		
height	42.5 mm	
width	70 mm	
outer diameter of the signal column element	70 mm	
material	PA	
color	black	
fastening method	Floor/bracket mounting	
protection class IP	IP65	
type of electrical connection	spring-loaded terminals	
<b>Ambient conditions</b>		
ambient temperature during operation	-20 ... +50 °C	
<b>Certificates/ approvals</b>		
General Product Approval	EMC	Declaration of Conformity

[Confirmation](#)



other

[Confirmation](#)

**Further information**

Siemens has decided to exit the Russian market (see here).  
<https://press.siemens.com/global/en/pressrelease/siemens-wind-down-russian-business>

Siemens is working on the renewal of the current EAC certificates.

Please contact your local Siemens office on the status of validity of the EAC certification if you intend to import or offer to supply these products to an EAC relevant market (other than the sanctioned EAEU member states Russia or Belarus).

Information on the packaging

<https://support.industry.siemens.com/cs/ww/en/view/109813875>

Information- and Downloadcenter (Catalogs, Brochures,...)

<https://www.siemens.com/ic10>

Industry Mall (Online ordering system)

<https://mall.industry.siemens.com/mall/en/en/Catalog/product?mlfb=8WD4408-0AE>

Cax online generator

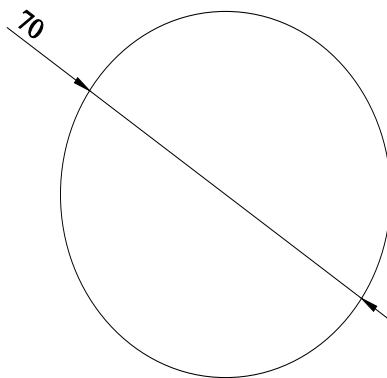
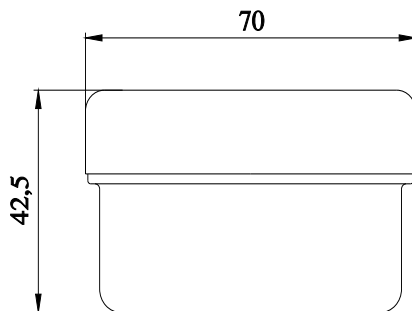
<http://support.automation.siemens.com/WW/CAXorder/default.aspx?lang=en&mlfb=8WD4408-0AE>

Service&Support (Manuals, Certificates, Characteristics, FAQs,...)

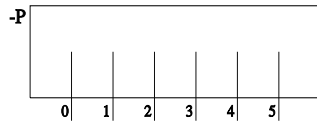
<https://support.industry.siemens.com/cs/ww/en/ps/8WD4408-0AE>

Image database (product images, 2D dimension drawings, 3D models, device circuit diagrams, EPLAN macros, ...)

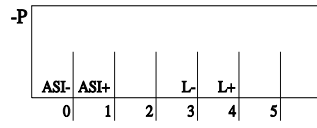
[http://www.automation.siemens.com/bilddb/cax\\_de.aspx?mlfb=8WD4408-0AE&lang=en](http://www.automation.siemens.com/bilddb/cax_de.aspx?mlfb=8WD4408-0AE&lang=en)



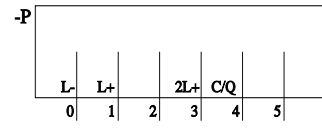
Standard



ASI



IO-Link



---

last modified:

12/23/2020 