



pipe individually, Length 400 mm, accessory for signaling columns, with diameters 50 mm and 70 mm

| | |
|--|----------|
| product brand name | SIRIUS |
| product designation | Pipe |
| General technical data | |
| reference code according to EN 61346-2 | U |
| Enclosure | |
| height | 400 mm |
| width | 25 mm |
| material | aluminum |
| color | silver |
| length of the mounting tube | 400 mm |

| | | |
|--------------------------------|-----|---------------------------|
| Certificates/ approvals | | |
| General Product Approval | EMC | Declaration of Conformity |

[Confirmation](#)



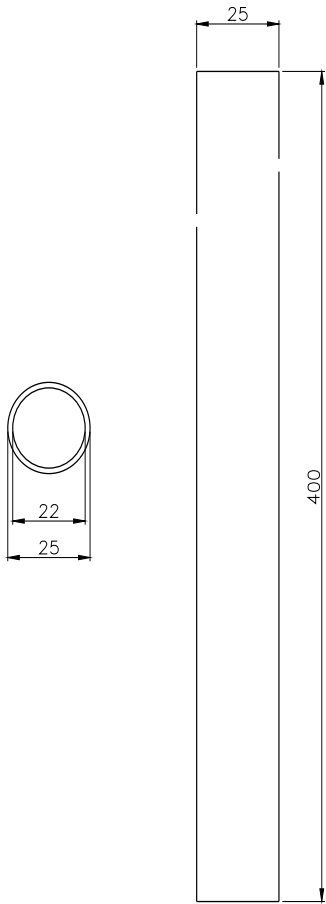
| | |
|-------------------|-------|
| Marine / Shipping | other |
|-------------------|-------|



[Confirmation](#)

Further information

Siemens has decided to exit the Russian market (see here).
<https://press.siemens.com/global/en/pressrelease/siemens-wind-down-russian-business>
 Siemens is working on the renewal of the current EAC certificates.
 Please contact your local Siemens office on the status of validity of the EAC certification if you intend to import or offer to supply these products to an EAC relevant market (other than the sanctioned EAEU member states Russia or Belarus).
Information on the packaging
<https://support.industry.siemens.com/cs/ww/en/view/109813875>
Information- and Downloadcenter (Catalogs, Brochures,...)
<https://www.siemens.com/ic10>
Industry Mall (Online ordering system)
<https://mall.industry.siemens.com/mall/en/en/Catalog/product?mlfb=8WD4308-0EB>
Cax online generator
<http://support.automation.siemens.com/WW/CAXorder/default.aspx?lang=en&mlfb=8WD4308-0EB>
Service&Support (Manuals, Certificates, Characteristics, FAQs,...)
<https://support.industry.siemens.com/cs/ww/en/ps/8WD4308-0EB>
Image database (product images, 2D dimension drawings, 3D models, device circuit diagrams, EPLAN macros, ...)
http://www.automation.siemens.com/bilddb/cax_de.aspx?mlfb=8WD4308-0EB&lang=en



last modified:

12/21/2020 