

foot individually, metal, for pipe mounting, pipe lengths > 400 mm, accessory for signaling columns, with diameter 70 mm



product brand name	SIRIUS	
product designation	Foot for mounting on pipes	
General technical data		
reference code according to EN 61346-2	U	
Enclosure		
height	31 mm	
width	70 mm	
material	aluminum	
color	black	
fastening method	floor mounting	
Ambient conditions		
ambient temperature during operation	-20 ... +50 °C	
Certificates/ approvals		
General Product Approval	EMC	Declaration of Conformity

[Confirmation](#)



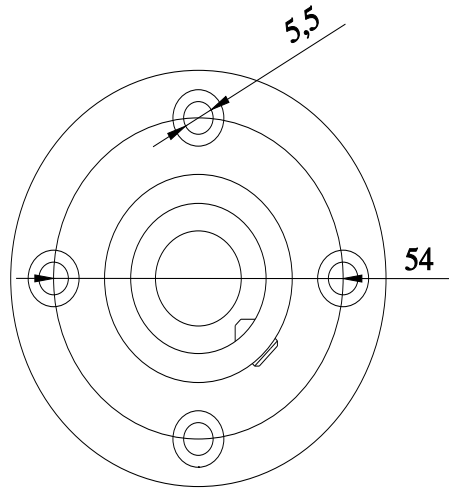
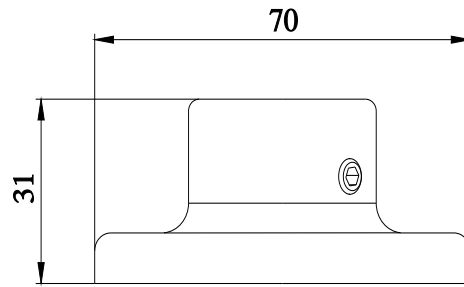
Marine / Shipping	other
-------------------	-------



[Confirmation](#)

Further information

Siemens has decided to exit the Russian market (see here).
<https://press.siemens.com/global/en/pressrelease/siemens-wind-down-russian-business>
 Siemens is working on the renewal of the current EAC certificates.
 Please contact your local Siemens office on the status of validity of the EAC certification if you intend to import or offer to supply these products to an EAC relevant market (other than the sanctioned EAEU member states Russia or Belarus).
Information on the packaging
<https://support.industry.siemens.com/cs/ww/en/view/109813875>
Information- and Downloadcenter (Catalogs, Brochures,...)
<https://www.siemens.com/ic10>
Industry Mall (Online ordering system)
<https://mall.industry.siemens.com/mall/en/en/Catalog/product?mlfb=8WD4308-0DC>
Cax online generator
<http://support.automation.siemens.com/WWW/CAXorder/default.aspx?lang=en&mlfb=8WD4308-0DC>
Service&Support (Manuals, Certificates, Characteristics, FAQs,...)
<https://support.industry.siemens.com/cs/ww/en/ps/8WD4308-0DC>



last modified:

12/21/2020 