

Bracket for wall mounting, for mounting on one side, without foot and pipe, accessory for signaling columns, with diameter 70 mm



product brand name	SIRIUS	
product designation	Bracket	
design of the product	for wall mounting, one side	
General technical data		
reference code according to EN 61346-2	U	
Enclosure		
width	70 mm	
depth	106 mm	
material	PA	
color	black	
fastening method	wall mounting	
Ambient conditions		
ambient temperature during operation	-20 ... +60 °C	
Certificates/ approvals		
General Product Approval	EMC	Declaration of Conformity

[Confirmation](#)



Marine / Shipping

other



[Confirmation](#)

Further information

Siemens has decided to exit the Russian market (see here).

<https://press.siemens.com/global/en/pressrelease/siemens-wind-down-russian-business>

Siemens is working on the renewal of the current EAC certificates.

Please contact your local Siemens office on the status of validity of the EAC certification if you intend to import or offer to supply these products to an EAC relevant market (other than the sanctioned EAEU member states Russia or Belarus).

Information on the packaging

<https://support.industry.siemens.com/cs/ww/en/view/109813875>

Information- and Downloadcenter (Catalogs, Brochures,...)

<https://www.siemens.com/ic10>

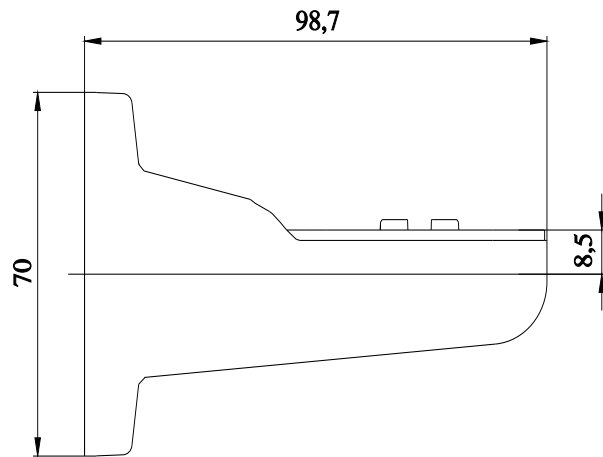
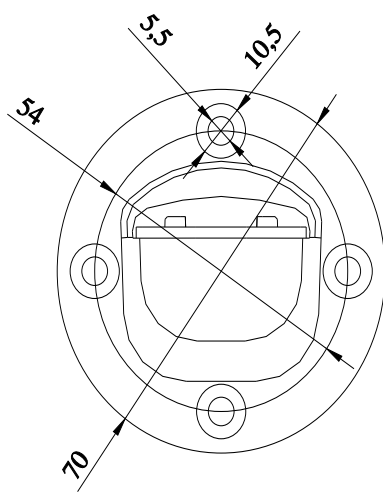
Industry Mall (Online ordering system)

<https://mall.industry.siemens.com/mall/en/en/Catalog/product?mlfb=8WD4308-0CA>

Cax online generator

<http://support.automation.siemens.com/WWW/CAXorder/default.aspx?lang=en&mlfb=8WD4308-0CA>

Service&Support (Manuals, Certificates, Characteristics, FAQs,...)



last modified:

9/6/2023 