

VSPC CONTROL UNIT 24VDC

Weidmüller Interface GmbH & Co. KG
 Klingenbergstraße 26
 D-32758 Detmold
 Germany

www.weidmueller.com



- Signalling module for all VSPCs with status indicator
- Signalling of cable breaks / signal interruptions
- Power supply of 20 to 31 V DC
- No-voltage changeover contact
- Function display with red/green LED
- Functional alerts with different signal types.

General ordering data

Version	Surge protection for instrumentation and control, with warning function / function indicator
Order No.	8972270000
Type	VSPC CONTROL UNIT 24VDC
GTIN (EAN)	4032248793488
Qty.	1 pc(s).

Creation date May 26, 2022 8:46:15 AM CEST

Catalogue status 20.05.2022 / We reserve the right to make technical changes.

VSPC CONTROL UNIT 24VDC

Weidmüller Interface GmbH & Co. KG
 Klingenbergstraße 26
 D-32758 Detmold
 Germany

www.weidmueller.com

Technical data

Dimensions and weights

Depth	71.5 mm	Depth (inches)	2.815 inch
Height	102 mm	Height (inches)	4.016 inch
Width	18 mm	Width (inches)	0.709 inch
Net weight	73.57 g		

Temperatures

Storage temperature	-40 °C...80 °C	Operating temperature	-40 °C...70 °C
Humidity	5...96 %		

Environmental Product Compliance

REACH SVHC	Lead 7439-92-1
------------	----------------

Rated data UL

Certificate No. (UL)	E311081	UL certificate	UL 497b Certificate
----------------------	---------	----------------	---------------------

CSA protection data

Gas group C	IIB	Gas group D	IIA
Gas groups A, B	IIC	Input current, max. I_i	50 mA
Input voltage, max. U_i	31 V	Internal capacity, max. C_i	100 μ F
Internal inductance, max. L_i	300 μ H		

General data

Colour	orange	Design	Installation housing
Protection degree	IP20	Rail	TS 35, TS 35 x 7.5
Segment	Measurement - Monitoring - Setting	Start-up time after fault correction	60 s
Version	with warning function / function indicator		

Insulation coordination acc. to EN 50178

Pollution severity	2	Surge voltage category	III
--------------------	---	------------------------	-----

Rated data IEC / EN

Max. continuous voltage, U_c (DC)	30 V	Number of poles	1
Operating current, I_{max}	50 mA	Operating voltage	24 V
Rated current I_N	50 mA	Rated voltage (DC)	24 V
Signalling contact	No	Standards	DIN EN 50178
Start-up time after fault correction	60 s		

Further details of approvals

GOST certificate	GOST-Zertifikat
------------------	-----------------

Diagnosis

Operating status	LED green	Status indication	Green LED
Wire break detection	Red/green LED, flashing		

Creation date May 26, 2022 8:46:15 AM CEST

VSPC CONTROL UNIT 24VDC

Weidmüller Interface GmbH & Co. KG

Klingenbergstraße 26

D-32758 Detmold

Germany

www.weidmueller.com

Technical data

alarm output

Switching current	1 A	Switching voltage	250 V AC
Type	1 CO contact		

Connection data

Stripping length	5.5 mm	Type of connection	Pluggable screw connection
Stripping length, rated connection	5 mm	Tightening torque, min.	0.5 Nm
Tightening torque, max.	0.5 Nm	Clamping range, min.	0.5 mm ²
Clamping range, max.	2.5 mm ²	Wire cross-section, solid, min.	0.5 mm ²
Wire cross-section, solid, max.	2.5 mm ²	Wire connection cross section, finely stranded, max.	1.5 mm ²
Conductor cross-section, flexible, AEH (DIN 46228-1), min.	0.5 mm ²	Conductor cross-section, flexible, AEH (DIN 46228-1), max.	2.5 mm ²
Connection cross-section, stranded, min.	0.5 mm ²	Connection cross-section, stranded, max.	1.5 mm ²

Ratings IECEx/ATEX/cUL

cUL certificate	cUL Certificate
-----------------	-----------------

Classifications

ETIM 6.0	EC000943	ETIM 7.0	EC000943
ETIM 8.0	EC000943	ECLASS 9.0	27-13-08-07
ECLASS 9.1	27-13-08-07	ECLASS 10.0	27-13-08-07
ECLASS 11.0	27-13-08-07	ECLASS 12.0	27-17-90-90

Tender specification sheets

Long specification	Evaluating unit for up to 10 VSPC R protected plugs. With voltage-free signalling contact and power supply. This can be wired with up to 10 base modules with optional remote monitoring and delivers the supply voltage. In case of protection module failure the voltage free signalling contact is triggered.	Short specification	Evaluating unit for up to 10 VSPC BASE R protected plugs. With voltage-free signalling contact and power supply.
--------------------	--	---------------------	--

Approvals

Approvals



ROHS	Conform
UL File Number Search	E311081

VSPC CONTROL UNIT 24VDC

Weidmüller Interface GmbH & Co. KG
Klingenbergstraße 26
D-32758 Detmold
Germany

www.weidmueller.com

Technical data**Downloads**

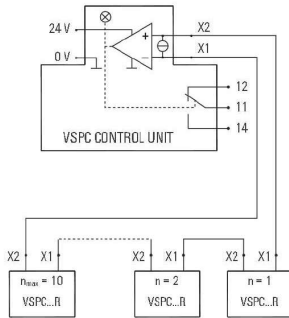
Approval/Certificate/Document of Conformity	EU Konformitätserklärung / EU Declaration of Conformity
Engineering Data	CAD data – STEP
Engineering Data	EPLAN, WSCAD
User Documentation	Beipackzettel / Instruction sheet
Catalogues	Catalogues in PDF-format
Brochures	

VSPC CONTROL UNIT 24VDC

Weidmüller Interface GmbH & Co. KG
 Klingenbergstraße 26
 D-32758 Detmold
 Germany

www.weidmueller.com

Drawings



Cate- gory	Testing pulse	Surge voltage	Surge current	Pulse	Type
C1	Quick-rising edge	0.5 - 2 kV with 1.2/50 µs	0.25 - 1 kA mit 8/20 µs	300	Surge voltage arrester
C2	Quick-rising edge	2 - 10 kV with 1.2/50 µs	1 - 5 kA mit 8/20 µs	10	Surge voltage arrester
C3	Quick-rising edge	≥ 1 kV with 1 kV/µs	10 - 100 A mit 10/10000 µs	300	Surge voltage arrester
D1	High power	≥ 1 kV	0.5 - 2.5 kA mit 10/350 µs	2	Arrester for lightning current and surge voltages

Discharge capacity

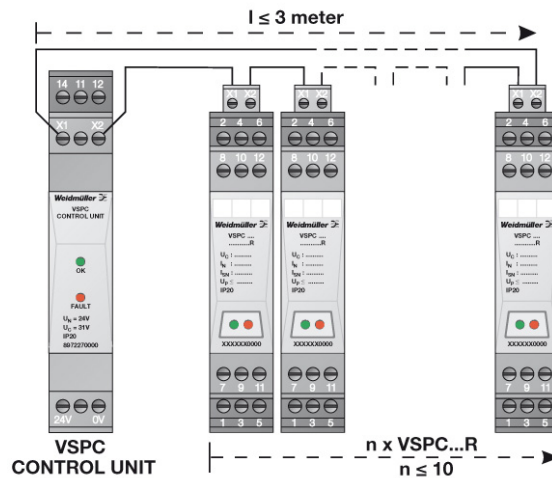
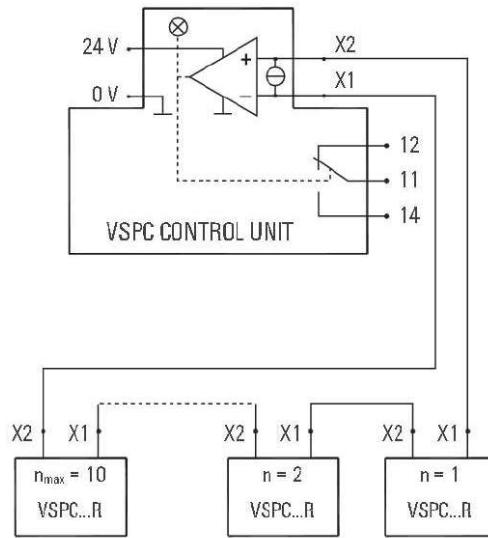
VSPC CONTROL UNIT 24VDC

Weidmüller Interface GmbH & Co. KG
 Klingenbergstraße 26
 D-32758 Detmold
 Germany

www.weidmueller.com

Drawings

Op



Application example