

## D-SERIES DRM DRM270220LT

**Weidmüller Interface GmbH & Co. KG**  
 Klingenbergstraße 26  
 D-32758 Detmold  
 Germany  
 Fon: +49 5231 14-0  
 Fax: +49 5231 14-292083  
 www.weidmueller.com

### Product image



Similar to illustration

Relay from the D-SERIES DRM.

- 2 or 4 CO contacts
- Compact design
- Wide range of coil voltages
- Optional test button (AC red, DC blue)
- Optional with integrated status display (AC red, DC green)  
and/or free-wheel diode

### General ordering data

|            |   |
|------------|---|
| Type       | DRM270220LT   |
| Order No.  | <a href="#">7760056072</a>  |
| Version    | D-SERIES DRM, Relay, Number of contacts: 2, CO contact with test button, AgNi 0,15 µm Au, Rated control voltage: 220 V DC, Continuous current: 10 A, Plug-in connection |
| GTIN (EAN) | 4032248855834   |
| Qty.       | 20 pc(s).   |

Creation date July 9, 2020 9:04:49 AM CEST

Catalogue status 09.07.2020 / We reserve the right to make technical changes.

**D-SERIES DRM**  
**DRM270220LT**

**Weidmüller Interface GmbH & Co. KG**  
 Klingenbergstraße 26  
 D-32758 Detmold  
 Germany  
 Fon: +49 5231 14-0  
 Fax: +49 5231 14-292083  
 www.weidmueller.com

**Technical data****Dimensions and weights**

|            |         |                 |            |
|------------|---------|-----------------|------------|
| Width      | 21 mm   | Width (inches)  | 0.827 inch |
| Height     | 27.4 mm | Height (inches) | 1.079 inch |
| Depth      | 35.7 mm | Depth (inches)  | 1.406 inch |
| Net weight | 30.9 g  |                 |            |

**Temperatures**

|                             |  |                             |                |
|-----------------------------|--|-----------------------------|----------------|
| Humidity                    | 35...85 % rel. humidity, no condensation | Operating temperature, max. | 60 °C          |
| Operating temperature, min. | -40 °C                                   | Storage temperature, max.   | 70 °C          |
| Storage temperature, min.   | -40 °C                                   | Operating temperature       | -40 °C...60 °C |
| Storage temperature         | -40 °C...70 °C                           |                             |                |

**Environmental Product Compliance**

REACH SVHC Lead 7439-92-1

**Rated data UL**

Certificate No. (cURus) E312083

**Input**

|                       |                |                                |                 |
|-----------------------|----------------|--------------------------------|-----------------|
| Rated control voltage | 220 V DC       | Rated current DC               | 5.2 mA          |
| Power rating          | 1.2 W          | Pull-in/drop-out voltage, typ. | 165 V / 22 V DC |
| Coil resistance       | 44000 Ω ± 10 % | Status indicator               | Green LED       |

**Output**

|   |                            |   |              |
|---|----------------------------|---|--------------|
| Rated switching voltage                 | 250 V AC                   | Max. switching voltage, AC              | 250 V        |
| Continuous current                      | 10 A                       | Inrush current                          | 20 A / 50 ms |
| AC switching capacity (resistive), max. | 2500 VA                    | DC switching capacity (resistive), max. | 240 W @ 24 V |
| Switch-on delay                         | < 20 ms                    | Switch-off delay                        | < 20 ms      |
| Min. switching power                    | 10 mA @ 12 V, 100 mA @ 5 V | Max. switching frequency at rated load  | 0.1 Hz       |

**Contact data**

|                         |   |                    |         |
|-------------------------|---|--------------------|---------|
| Contact type            | 2 CO contact with test button (AgNi 0,15 µm Au) | Contact resistance | ≤ 50 mΩ |
| Mechanical service life | 20 x 10 <sup>6</sup> switching cycles           |                    |         |

**General data**

|             |                |                                      |     |
|-------------|----------------|--------------------------------------|-----|
| Test button | yes (lockable) | Mechanical switch position indicator | Yes |
| Colour      | Transparent    | UL 94 flammability rating            | V-2 |

**Data sheet**

**D-SERIES DRM  
DRM270220LT**

**Weidmüller Interface GmbH & Co. KG**  
Klingenbergstraße 26  
D-32758 Detmold  
Germany  
Fon: +49 5231 14-0  
Fax: +49 5231 14-292083  
www.weidmueller.com

**Technical data**

**Insulation coordination**

|  |                                |  |                             |
|--|--------------------------------|--|-----------------------------|
| Rated voltage                                | 250 V                          | Surge voltage category                         | III                         |
| Pollution severity                           | 2                              | Protection degree                              | IP20                        |
| Dielectric strength, Input/Output            | 1.8 kV <sub>eff</sub> / 1 min. | Creepage and clearance distance input – output | ≥ 5.5 mm                    |
| Dielectric strength of neighbouring contacts | 1 kV <sub>eff</sub> / 1 min    | Dielectric strength of open contact            | 1 kV <sub>eff</sub> / 1 min |
| Impulse withstand voltage                    | 6 kV (1.2/50 µs)               |  |                             |

**Further details of approvals / standards**

|           |  |                         |         |
|-----------|--|-------------------------|---------|
| Standards | IEC 61810-1, EN 60664-1:2007, EN 61000-6-2:2005, EN 61000-6-4:2007 + A1:2011, UL 508 | Certificate No. (cURus) | E312083 |
|-----------|--|-------------------------|---------|

**Connection data**

|                        |                    |
|------------------------|--------------------|
| Wire connection method | Plug-in connection |
|------------------------|--------------------|

**Classifications**

|             |             |            |             |
|-------------|-------------|------------|-------------|
| ETIM 6.0    | EC001437    | ETIM 7.0   | EC001437    |
| eClass 9.0  | 27-37-16-01 | eClass 9.1 | 27-37-16-01 |
| eClass 10.0 | 27-37-16-01 |            |             |

**Approvals**

Approvals



|      |         |
|------|---------|
| ROHS | Conform |
|------|---------|

**Downloads**

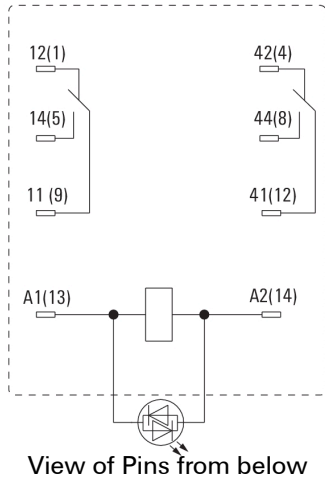
|   |   |
|---|---|
| Approval/Certificate/Document of Conformity | <a href="#">EU Konformitätserklärung / EU Declaration of Conformity</a> |
| Brochure/Catalogue                          | <a href="#">CAT 4.2 ELECTR 18/19 EN</a>                                 |
| Engineering Data                            | <a href="#">EPLAN, WSCAD</a>  |
| Engineering Data                            | <a href="#">STEP</a>  |

**D-SERIES DRM  
DRM270220LT**

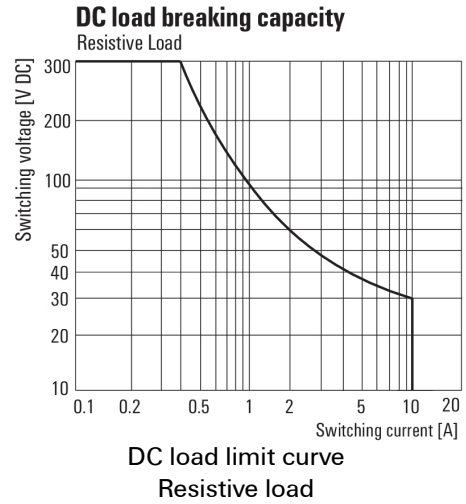
**Weidmüller Interface GmbH & Co. KG**  
 Klingenbergstraße 26  
 D-32758 Detmold  
 Germany  
 Fon: +49 5231 14-0  
 Fax: +49 5231 14-292083  
 www.weidmueller.com

**Drawings**

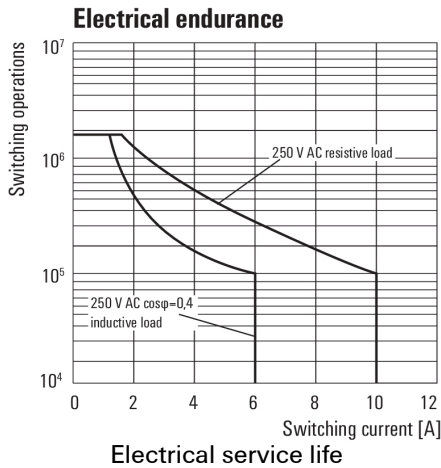
**Wiring diagram**



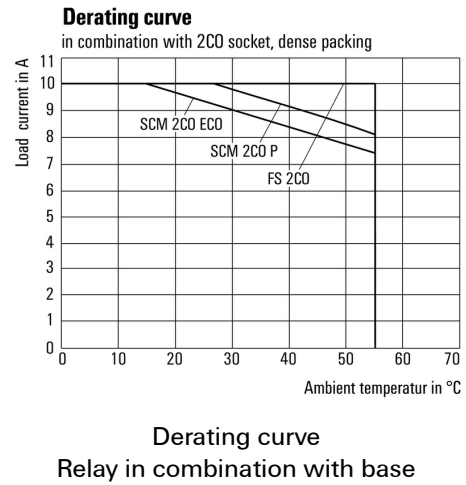
**Graph**



**Graph**



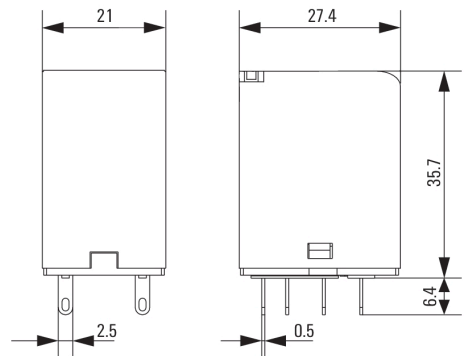
**Graph**



**Graph**



**Dimensional drawing**



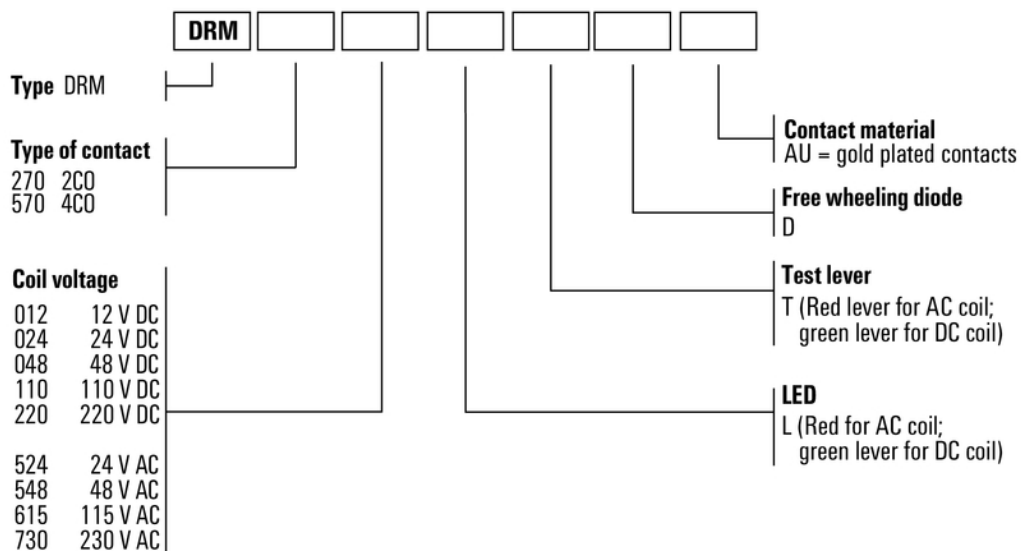
**Data sheet**

**D-SERIES DRM  
DRM270220LT**

**Weidmüller Interface GmbH & Co. KG**  
 Klingenbergstraße 26  
 D-32758 Detmold  
 Germany  
 Fon: +49 5231 14-0  
 Fax: +49 5231 14-292083  
 www.weidmueller.com

**Drawings**

**Miscellaneous**



Type codes