



# COUNTIS E2x

Active-energy meters

three-phase - direct 80 A

Single-circuit metering,  
measurement &  
analysis



COUNTIS E24 - MID

## The solution for

- > Industry
- > Infrastructure
- > Data center
- > EV Chargers
- > Shopping centers



## Function

The **COUNTIS E2x** is a modular energy meter displaying the energies (kWh, kVAh and kVA) and other measurements directly on its backlit LCD display. It is designed for three-phase networks and allows a direct connection of up to 80 A.

## Advantages

### RS485 (MODBUS), M-BUS, Ethernet communication or pulse outputs

To easily centralise your consumption, COUNTIS E2x devices have either one pulse output, one RS485 (MODBUS), M-BUS or an Ethernet Modbus TCP communication output. With RS485 and Ethernet communication models, you can configure your meters remotely.

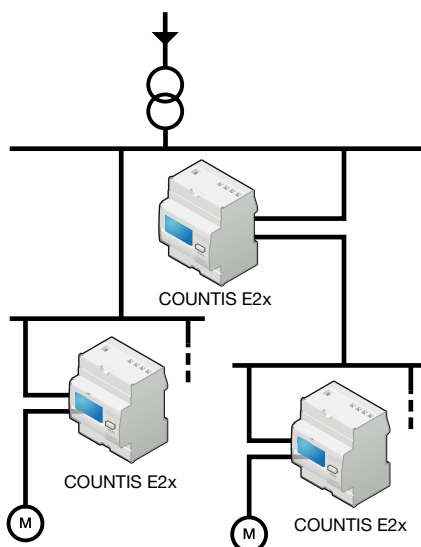
### Multi-tariff

Lets you assign different time slots (every hour, dip times) or different sources (normal, back-up) to your energy readings to monitor your energy consumption in more detail.

### MID certified B+D module

COUNTIS E units comply with the MID directive to guarantee accuracy and reliability when metering, compulsory for energy billing applications. "Module B+D" certification guarantees that the design and manufacturing process of products are approved by an accredited laboratory.

## Functional diagram



count\_224\_a\_1\_x\_cat.eps

## Common characteristics

- Measurement accuracy: 1%.
- Displayed on backlit screen.
- Multi-measurement available on display.

Models	Model-related specifications
E21	Dual tariff + pulse output
E22	Dual tariff + pulse output + MID
E23	Dual tariff + pulse output + MODBUS RS485 communication
E24	Dual tariff + pulse output + MODBUS RS485 communication + MID
E25	Dual tariff + pulse output + M-BUS communication
E26	Dual tariff+ pulse output + M-BUS communication + MID
E27	Dual tariff + pulse output + Ethernet
E28	Dual tariff + pulse output + Ethernet + MID

## Strong points

- > RS485 (MODBUS), M-BUS, Ethernet or pulse outputs
- > Multi-tariff
- > MID certified B+D module
- > Multi-measurement on display
- > Bi-directional metering

## MID certification

- > COUNTIS E units comply with the MID directive to guarantee accuracy and reliability when metering, compulsory for energy billing applications.
- > COUNTIS E MID feature tamper-proof components to prevent fraud.

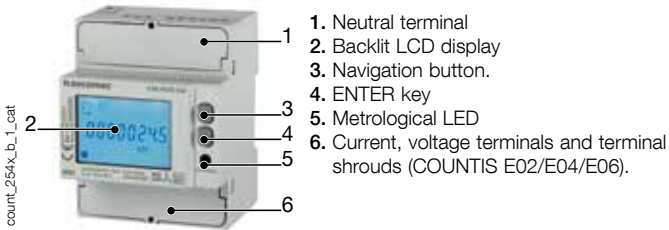


## Conformity to standards

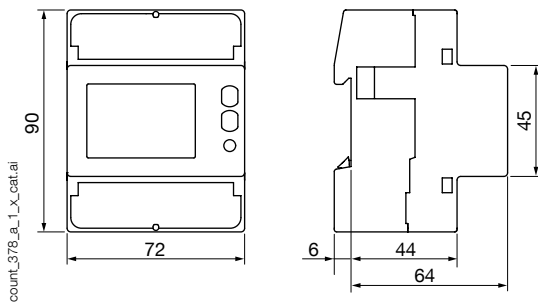
- > IEC 62053-21 class 1
- > IEC 62053-23 class 2
- > IEC 62053-31
- > IEC 62052-11
- > EN 50470-1
- > EN 50470-3



## Front panel



## Dimensions (mm)



Type	modular
Number of modules	4
Dimensions W x H x D	72 x 90 x 64 mm
Case degree of protection	IP 20
Front degree of protection	IP 51 <sup>(1)</sup>
Display type	8-digit backlit LCD
Rigid cable cross-section	1.5 ... 35 mm <sup>2</sup>
Flexible cable cross-section	1.5 ... 35 mm <sup>2</sup>
Weight	440 g

(1) For the installation in a cabinet at least with IP51 protection.

## Electrical characteristics

### Measurement of currents

Type	three-phase - direct 80 A
Input consumption	0.5 VA max. per phase
Startup current (I <sub>st</sub> )	20 mA
Minimum current (I <sub>min</sub> )	0.25 A
Transition current (I <sub>tr</sub> )	0.5 A
Reference current (I <sub>ref</sub> )	5 A
Permanent overload (I <sub>max</sub> )	80 A
Intermittent overload	30 I <sub>max</sub> over 10 ms

### Voltage measurement

Range of measurement	230 ... 240 V ±20%
Consumption (VA)	7.5 VA max (0.5 W) per phase E21/E22/E25/E26 3.5 VA max (1 W) per phase E23/E24/E27/E28
Permanent overload	290 V phase-neutral / 500 V phase-phase

### Energy accuracy

Active (according to IEC 62053-21)	Class 1
Active (according to EN 50470)	Class B
Reactive (according to IEC 62053-22)	Class 2

### Power supply

Self-powered	Yes
Frequency	50/60 Hz

### Output (pulses)

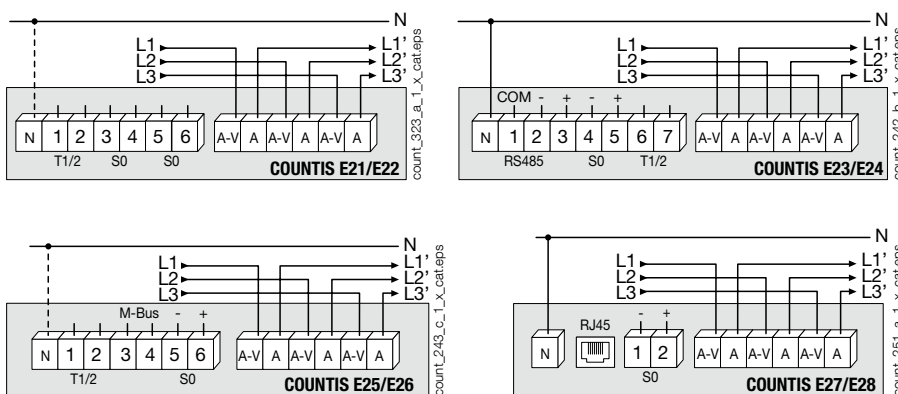
Optoisolated type (IEC 62053-31)	250 VAC/DC - 100 mA (E21/E22) 27 VDC - 27 mA (E23 ... E28)
Number	2 (E21/E22) 1 (E23 ... E28)
Fixed pulse weight	100 Wh
Pulse duration	50 ± 2 ms ON time 30 ± 2 ms OFF time

### Operating conditions

Operating temperature	-25 ... 55°C
Storage temperature	-25 ... 75°C
Relative humidity	80%

Communication	COUNTIS E23/24	COUNTIS E25/E26	COUNTIS E27/E28
Link	RS485	Wired	RJ45
Type	2 half duplex 2 to 3 half duplex (E23/E24)		Full duplex
Protocol	MODBUS RTU	M-BUS	MODBUS TCP, HTTP, NTP, DHCP
Baudrate	1200 ... 115200 bauds	300 ... 9600 bauds	10/100 Mbps

## Connection



## References

Type	COUNTIS E21 Reference	COUNTIS E22 Reference	COUNTIS E23 Reference	COUNTIS E24 Reference	COUNTIS E25 Reference	COUNTIS E26 Reference	COUNTIS E27 Reference	COUNTIS E28 Reference
Direct 80 A - Dual tariff	4850 3062							
Direct 80 A - Dual tariff + MID		4850 3049						
Direct 80 A - Dual tariff + MODBUS communication via RS485			4850 3050					
Direct 80 A - Dual tariff + MODBUS communication via RS485 + MID				4850 3051				
Direct 80 A - Dual tariff + M-Bus communication					4850 3052			
Direct 80 A - Dual tariff + M-Bus communication + MID						4850 3053		
Direct 80 A - Dual tariff + Ethernet Modbus TCP communication							4850 3054	
Direct 80 A - Dual tariff + Ethernet Modbus TCP + MID								4850 3055