

Accessory for position switch Device plug (6+PE) for M20 x 1.5



|  |                                 |
|--|---------------------------------|
| Substance Prohibition (Date)                 | 07/01/2006                      |
| type of connectable conductor cross-sections | 7x 0.75 mm <sup>2</sup> / AWG18 |
| Approvals Certificates                       |                                 |
| General Product Approval                     | Declaration of Conformity       |



### Further information

Siemens has decided to exit the Russian market (see here).

<https://press.siemens.com/global/en/pressrelease/siemens-wind-down-russian-business>

Siemens is working on the renewal of the current EAC certificates.

Please contact your local Siemens office on the status of validity of the EAC certification if you intend to import or offer to supply these products to an EAC relevant market (other than the sanctioned EAEU member states Russia or Belarus).

Information on the packaging

<https://support.industry.siemens.com/cs/ww/en/view/109813875>

Information- and Downloadcenter (Catalogs, Brochures,...)

<https://www.siemens.com/ic10>

Industry Mall (Online ordering system)

<https://mall.industry.siemens.com/mall/en/en/Catalog/product?mlfb=3SY3131>

Cax online generator

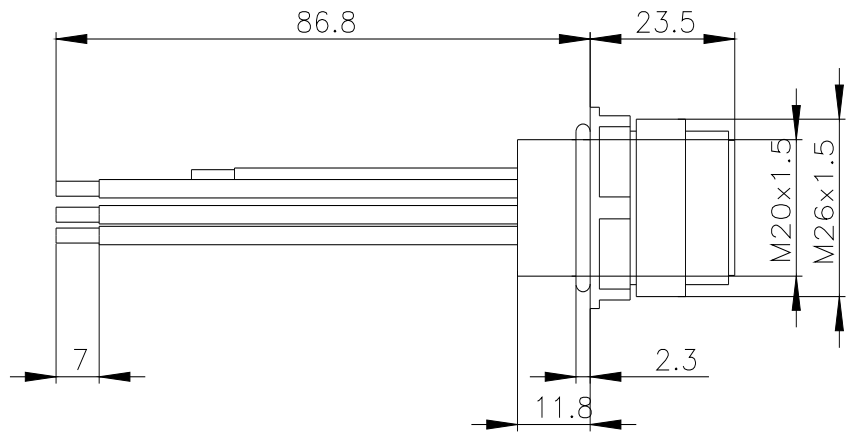
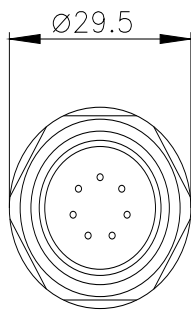
<http://support.automation.siemens.com/WW/CAXorder/default.aspx?lang=en&mlfb=3SY3131>

Service&Support (Manuals, Certificates, Characteristics, FAQs,...)

<https://support.industry.siemens.com/cs/ww/en/ps/3SY3131>

Image database (product images, 2D dimension drawings, 3D models, device circuit diagrams, EPLAN macros, ...)

[http://www.automation.siemens.com/bilddb/cax\\_de.aspx?mlfb=3SY3131&lang=en](http://www.automation.siemens.com/bilddb/cax_de.aspx?mlfb=3SY3131&lang=en)



last modified:

5/6/2021 