



Accessory for position switch Connector plug (5-pole), M12, for M20 x 1.5 for 125 V, 4 A on Pin 5 a yellow/green cable for PE

General technical data	
degree of pollution	3
overvoltage category	2
surge voltage resistance rated value	800 V
protection class IP	IP67
Substance Prohibitance (Date)	07/01/2006
SVHC substance name	Blei - 7439-92-1
number of poles	5
operating voltage rated value	60 V
Ambient conditions	
ambient temperature during operation	-40 ... +85 °C
type of electrical connection	connector M12
type of connectable conductor cross-sections	5x 0.25 mm <sup>2</sup> / AWG24
Approvals Certificates	
General Product Approval	other

[Confirmation](#)



[Confirmation](#)

[Miscellaneous](#)

### Further information

Siemens has decided to exit the Russian market (see here).

<https://press.siemens.com/global/en/pressrelease/siemens-wind-down-russian-business>

Siemens is working on the renewal of the current EAC certificates.

Please contact your local Siemens office on the status of validity of the EAC certification if you intend to import or offer to supply these products to an EAC relevant market (other than the sanctioned EAEU member states Russia or Belarus).

Information on the packaging

<https://support.industry.siemens.com/cs/ww/en/view/109813875>

Information- and Downloadcenter (Catalogs, Brochures,...)

<https://www.siemens.com/ic10>

Industry Mall (Online ordering system)

<https://mall.industry.siemens.com/mall/en/en/Catalog/product?mlfb=3SY3128>

Cax online generator

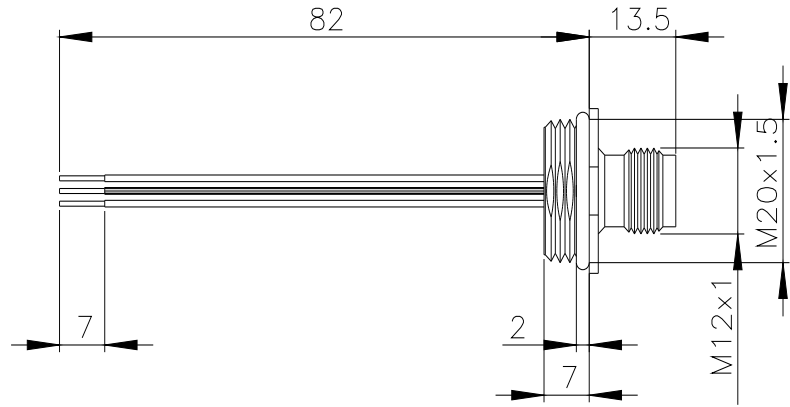
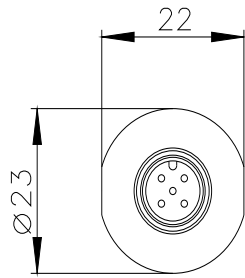
<http://support.automation.siemens.com/WW/CAXorder/default.aspx?lang=en&mlfb=3SY3128>

Service&Support (Manuals, Certificates, Characteristics, FAQs,...)

<https://support.industry.siemens.com/cs/ww/en/ps/3SY3128>

Image database (product images, 2D dimension drawings, 3D models, device circuit diagrams, EPLAN macros, ...)

[http://www.automation.siemens.com/bilddb/cax\\_de.aspx?mlfb=3SY3128&lang=en](http://www.automation.siemens.com/bilddb/cax_de.aspx?mlfb=3SY3128&lang=en)



last modified:

9/5/2023 