

Adapter + screw for compensation Installation depth for metal switches for twist lever adjustable-length and rod lever 3SE51 if required for converting from 3SE21 (3SE21.0-.UW/VW/WW/U/V/W) to 3SE51



General technical data		
product brand name	SIRIUS	
product designation	Adapter for offsetting the overall depth for metal switches	
Certificates/ approvals		
General Product Approval	Declaration of Conformity	other

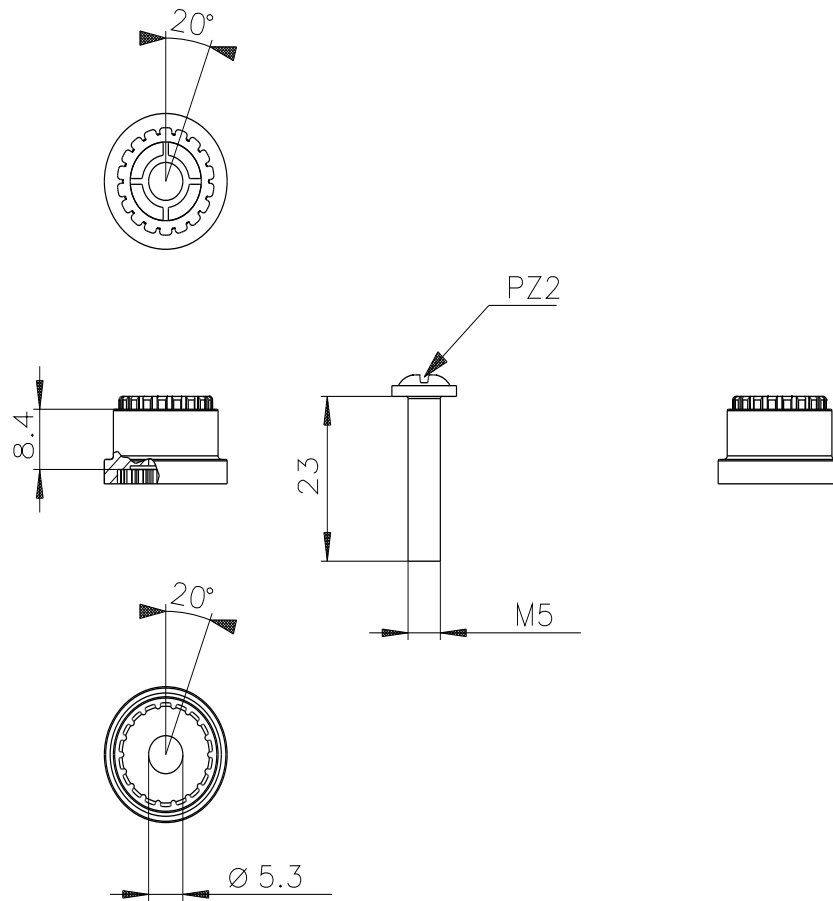
[Confirmation](#)



[Confirmation](#)

Further information

Siemens has decided to exit the Russian market (see here).
<https://press.siemens.com/global/en/pressrelease/siemens-wind-down-russian-business>
 Siemens is working on the renewal of the current EAC certificates.
 Please contact your local Siemens office on the status of validity of the EAC certification if you intend to import or offer to supply these products to an EAC relevant market (other than the sanctioned EAEU member states Russia or Belarus).
Information on the packaging
<https://support.industry.siemens.com/cs/ww/en/view/109813875>
Information- and Downloadcenter (Catalogs, Brochures,...)
<https://www.siemens.com/ic10>
Industry Mall (Online ordering system)
<https://mall.industry.siemens.com/mall/en/en/Catalog/product?mlfb=3SX5100-3B>
Cax online generator
<http://support.automation.siemens.com/WW/CAXorder/default.aspx?lang=en&mlfb=3SX5100-3B>
Service&Support (Manuals, Certificates, Characteristics, FAQs,...)
<https://support.industry.siemens.com/cs/ww/en/ps/3SX5100-3B>
Image database (product images, 2D dimension drawings, 3D models, device circuit diagrams, EPLAN macros, ...)
http://www.automation.siemens.com/bilddb/cax_de.aspx?mlfb=3SX5100-3B&lang=en



last modified:

12/21/2020 