



Accessory for position switches 3SE5, with M12 device plug 8-pole plastic, device connection M20 x 1.5

General technical data	
operational current at 40 °C rated value	1.5 A
operating voltage rated value	30 V
number of poles	8
insulation resistance	100 MΩ
ambient temperature during operation	-40 ... +85 °C
connector coding of the M12 circular connector	A - Standard
type of electrical connection	connector M12
color coding of the core	Pin 1 = WH, Pin 2 = BN, Pin 3 = GN, Pin 4 = YE, Pin 5 = GY, Pin 6 = PK, Pin 7 = BU, Pin 8 = RD
overvoltage category	2
degree of pollution	3
protection class IP	IP67
material	
• of the contact	CuZn
• of contact coating	Au
• of contact main body	PA
Certificates/ approvals	
General Product Approval	other



EG-Konf.

[Confirmation](#)



[Confirmation](#)

Further information

Siemens has decided to exit the Russian market (see here).
<https://press.siemens.com/global/en/pressrelease/siemens-wind-down-russian-business>

Siemens is working on the renewal of the current EAC certificates.
 Please contact your local Siemens office on the status of validity of the EAC certification if you intend to import or offer to supply these products to an EAC relevant market (other than the sanctioned EAEU member states Russia or Belarus).

Information on the packaging
<https://support.industry.siemens.com/cs/ww/en/view/109813875>

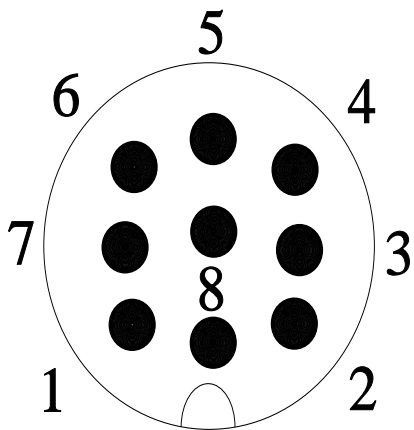
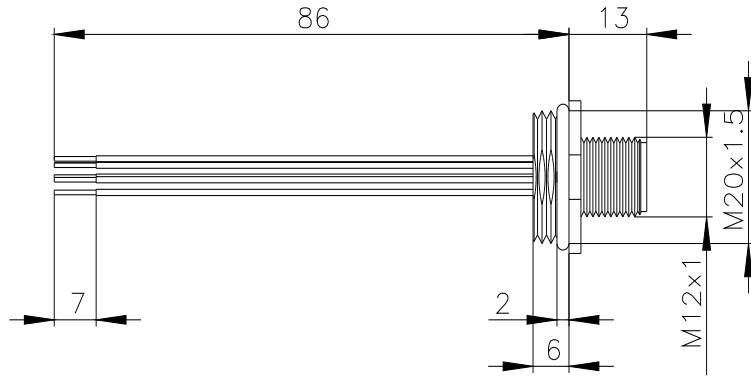
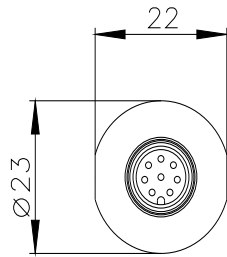
Information- and Downloadcenter (Catalogs, Brochures,...)
<https://www.siemens.com/ic10>

Industry Mall (Online ordering system)
<https://mall.industry.siemens.com/mall/en/en/Catalog/product?mlfb=3SX5100-1SS08>

Cax online generator
<http://support.automation.siemens.com/WWW/CAXorder/default.aspx?lang=en&mlfb=3SX5100-1SS08>

Service&Support (Manuals, Certificates, Characteristics, FAQs,...)
<https://support.industry.siemens.com/cs/ww/en/en/ps/3SX5100-1SS08>

Image database (product images, 2D dimension drawings, 3D models, device circuit diagrams, EPLAN macros, ...)
http://www.automation.siemens.com/bilddb/cax_de.aspx?mlfb=3SX5100-1SS08&lang=en



1	WH = White
2	BN = Brown
3	GE = Green
4	YE = Yellow
5	GY = Grey
6	PK = Pink
7	BU = Blue
8	RD = Red

