



Adapter for installation of actuators and signaling units, 22 mm, in a mounting drill hole 30.5 mm, Metal, matte, with seal

product brand name	SIRIUS ACT	
product designation	Adapter	
design of the product	for 30.5 mm to 22.5 mm mounting hole	
product type designation	3SU1	
General technical data		
protection class IP	IP66, IP67, IP69(IP69K)	
Substance Prohibittance (Date)	10/01/2014	
Ambient conditions		
ambient temperature		
• during operation	-25 ... +70 °C	
• during storage and transport	-40 ... +80 °C	
Installation/ mounting/ dimensions		
height	40 mm	
width	38 mm	
mounting height	4.6 mm	
Accessories		
material of accessory	Metal matt	
color of accessory	sand gray	
Approvals Certificates		
General Product Approval	Test Certificates	Marine / Shipping



[Confirmation](#)



[Type Test Certificates/Test Report](#)



Marine / Shipping

other



[Confirmation](#)

Further information

Siemens has decided to exit the Russian market (see here).
<https://press.siemens.com/global/en/pressrelease/siemens-wind-down-russian-business>

Siemens is working on the renewal of the current EAC certificates.

Please contact your local Siemens office on the status of validity of the EAC certification if you intend to import or offer to supply these products to an EAC relevant market (other than the sanctioned EAEU member states Russia or Belarus).

Information on the packaging

<https://support.industry.siemens.com/cs/ww/en/view/109813875>

Information- and Downloadcenter (Catalogs, Brochures,...)

<https://www.siemens.com/ic10>

Industry Mall (Online ordering system)

<https://mall.industry.siemens.com/mall/en/en/Catalog/product?mifb=3SU1960-0KB10-0AA0>

Cax online generator

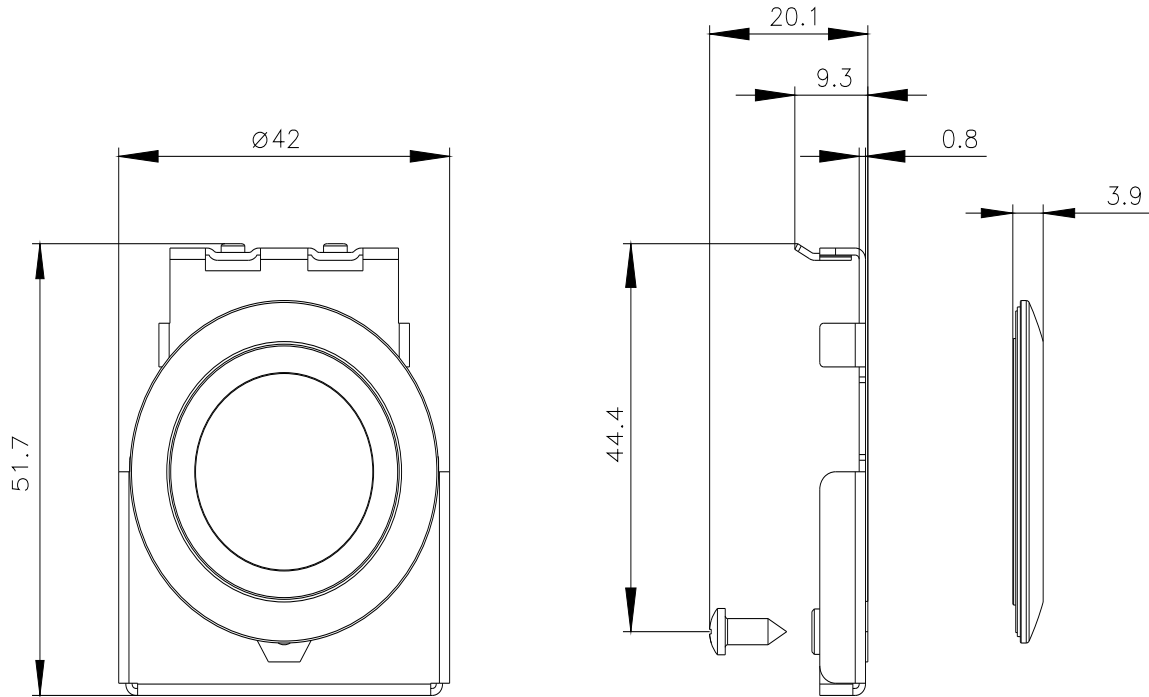
<http://support.automation.siemens.com/WW/CAXorder/default.aspx?lang=en&mifb=3SU1960-0KB10-0AA0>

Service&Support (Manuals, Certificates, Characteristics, FAQs,...)

<https://support.industry.siemens.com/cs/ww/en/ps/3SU1960-0KB10-0AA0>

Image database (product images, 2D dimension drawings, 3D models, device circuit diagrams, EPLAN macros, ...)

http://www.automation.siemens.com/bilddb/cax_de.aspx?mifb=3SU1960-0KB10-0AA0&lang=en



last modified:

3/29/2022 