



RJ45 connection: 30 mm, Metal matt, sand gray

product brand name	SIRIUS ACT
product designation	RJ45 connection
design of the product	RJ-45 Cat. 5e
product type designation	3SU1
product line	Metal, matt, flat, 30 mm
Actuator	
outer diameter of the actuating element	38 mm
General technical data	
protection class IP	IP65
Substance Prohibittance (Date)	10/01/2014
Ambient conditions	
ambient temperature	
• during operation	70 ... -25 °C
• during storage and transport	-40 ... +80 °C
Installation/ mounting/ dimensions	
shape of the installation opening	round
mounting diameter	30.5 mm
mounting height	5 mm
installation width	38 mm
installation depth	35.25 mm
Accessories	
material of accessory	Metal
color of accessory	sand gray

Approvals Certificates	
General Product Approval	Declaration of Conformity
	Test Certificates

[Confirmation](#)



[Type Test Certificates/Test Report](#)

Marine / Shipping	other
-------------------	-------



[Confirmation](#)

Further information

Siemens has decided to exit the Russian market (see here).

<https://press.siemens.com/global/en/pressrelease/siemens-wind-down-russian-business>

Siemens is working on the renewal of the current EAC certificates.

Please contact your local Siemens office on the status of validity of the EAC certification if you intend to import or offer to supply these products to an EAC relevant market (other than the sanctioned EAEU member states Russia or Belarus).

Information on the packaging

<https://support.industry.siemens.com/cs/ww/en/view/109813875>

Information- and Downloadcenter (Catalogs, Brochures,...)

<https://www.siemens.com/ic10>

Industry Mall (Online ordering system)

<https://mall.industry.siemens.com/mall/en/en/Catalog/product?mlfb=3SU1960-0GB80-0AA0>

Cax online generator

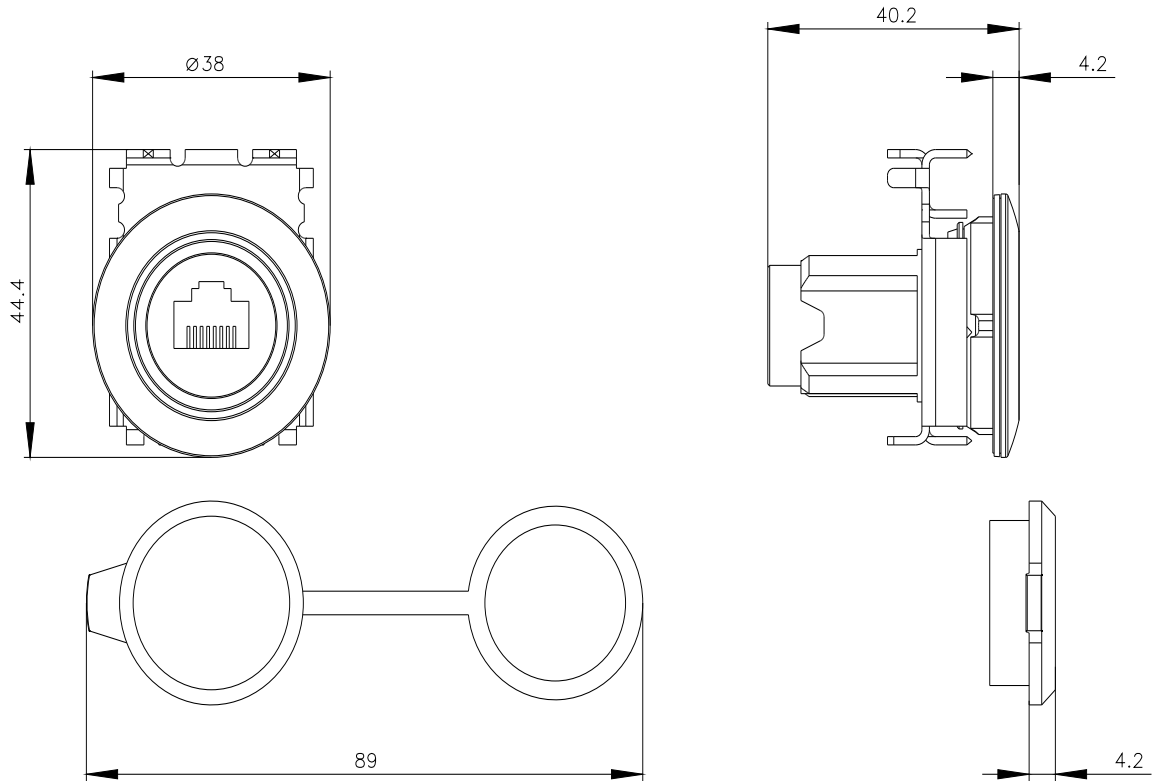
<http://support.automation.siemens.com/WW/CAXorder/default.aspx?lang=en&mlfb=3SU1960-0GB80-0AA0>

Service&Support (Manuals, Certificates, Characteristics, FAQs,...)

<https://support.industry.siemens.com/cs/ww/en/ps/3SU1960-0GB80-0AA0>

Image database (product images, 2D dimension drawings, 3D models, device circuit diagrams, EPLAN macros, ...)

http://www.automation.siemens.com/bilddb/cax_de.aspx?mlfb=3SU1960-0GB80-0AA0&lang=en



last modified:

4/4/2022