







Sealing plug for Free control points, 30 mm, Metal matt, sand gray

product brand name	SIRIUS ACT		
product designation	Sealing plug		
product type designation	3SU1		
Actuator			
shape of the actuating element	round		
outer diameter of the actuating element	38 mm		
General technical data			
protection class IP	IP66, IP67, IP69(IP69K)		
degree of protection NEMA rating	1, 2, 3, 3R, 4, 4X, 12		
reference code according to IEC 81346-2	S		
Substance Prohibitation (Date)	10/01/2014		
Ambient conditions			
ambient temperature			
• during operation	70 ... -25 °C		
• during storage and transport	-40 ... +80 °C		
environmental category during operation according to IEC 60721	3M6, 3S2, 3B2, 3C3, 3K6 (with relative air humidity of 10 ... 95%)		
Installation/ mounting/ dimensions			
shape of the installation opening	round		
mounting diameter	30.5 mm		
positive tolerance of installation diameter	0.4 mm		
mounting height	5.3 mm		
installation width	38 mm		
installation depth	31.3 mm		
Accessories			
material of accessory	Metal matt		
color of accessory	sand gray		
Approvals Certificates			
General Product Approval	Declaration of Conformity	Test Certificates	Marine / Shipping
Confirmation	 EG-Konf.	 EG-Konf.	
		Type Test Certificates/Test Report	 ABS
Marine / Shipping	other		



[Confirmation](#)

Further information

Siemens has decided to exit the Russian market (see here).

<https://press.siemens.com/global/en/pressrelease/siemens-wind-down-russian-business>

Siemens is working on the renewal of the current EAC certificates.

Please contact your local Siemens office on the status of validity of the EAC certification if you intend to import or offer to supply these products to an EAC relevant market (other than the sanctioned EAEU member states Russia or Belarus).

Information on the packaging

<https://support.industry.siemens.com/cs/ww/en/view/109813875>

Information- and Downloadcenter (Catalogs, Brochures,...)

<https://www.siemens.com/ic10>

Industry Mall (Online ordering system)

<https://mall.industry.siemens.com/mall/en/en/Catalog/product?mlfb=3SU1960-0FA80-0AA0>

Cax online generator

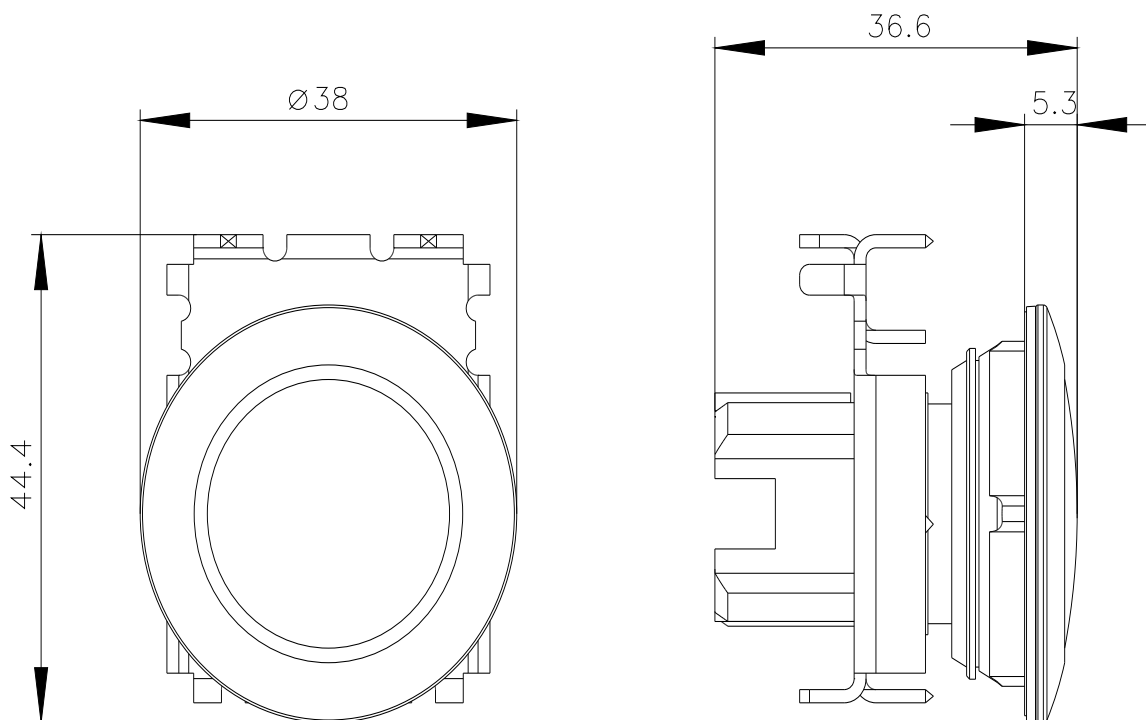
<http://support.automation.siemens.com/WW/CAXorder/default.aspx?lang=en&mlfb=3SU1960-0FA80-0AA0>

Service&Support (Manuals, Certificates, Characteristics, FAQs,...)

<https://support.industry.siemens.com/cs/ww/en/ps/3SU1960-0FA80-0AA0>

Image database (product images, 2D dimension drawings, 3D models, device circuit diagrams, EPLAN macros, ...)

http://www.automation.siemens.com/bilddb/cax_de.aspx?mlfb=3SU1960-0FA80-0AA0&lang=en



last modified:

4/4/2022