

Protective collar for EMERGENCY STOP mushroom pushbutton, 60 mm, 22 mm design, for 3 padlocks, yellow, plastic



product brand name	SIRIUS ACT
product designation	Protective collar
design of the product	for EMERGENCY STOP mushroom pushbuttons 60 mm, for 3 padlocks
product type designation	3SU1
General technical data	
protection class IP	IP66, IP67, IP69(IP69K)
degree of protection NEMA rating	1, 2, 3, 3R, 4, 4X, 12
Substance Prohibitance (Date)	10/01/2014
Ambient conditions	
ambient temperature	-40 ... +80 °C
• during storage	
Environmental footprint	
Environmental Product Declaration(EPD)	Yes
Global Warming Potential [CO2 eq] total	0.787 kg
Global Warming Potential [CO2 eq] during manufacturing	0.566 kg
Global Warming Potential [CO2 eq] during operation	0.235 kg
Global Warming Potential [CO2 eq] after end of life	-0.015 kg
Installation/ mounting/ dimensions	
height	58.9 mm
width	74.8 mm
depth	47.5 mm
Accessories	
material of accessory	Plastic
color of accessory	yellow
Approvals Certificates	
General Product Approval	



[Confirmation](#)



Test Certificates	Marine / Shipping	other
-------------------	-------------------	-------

[Type Test Certificates/Test Report](#)



[Confirmation](#)

Further information

Siemens has decided to exit the Russian market (see here).

<https://press.siemens.com/global/en/pressrelease/siemens-wind-down-russian-business>

Siemens is working on the renewal of the current EAC certificates.

Please contact your local Siemens office on the status of validity of the EAC certification if you intend to import or offer to supply these products to an EAC relevant market (other than the sanctioned EAEU member states Russia or Belarus).

Information on the packaging

<https://support.industry.siemens.com/cs/ww/en/view/109813875>

Information- and Downloadcenter (Catalogs, Brochures,...)

<https://www.siemens.com/ic10>

Industry Mall (Online ordering system)

<https://mall.industry.siemens.com/mall/en/en/Catalog/product?mlfb=3SU1900-0EX30-0AA0>

Cax online generator

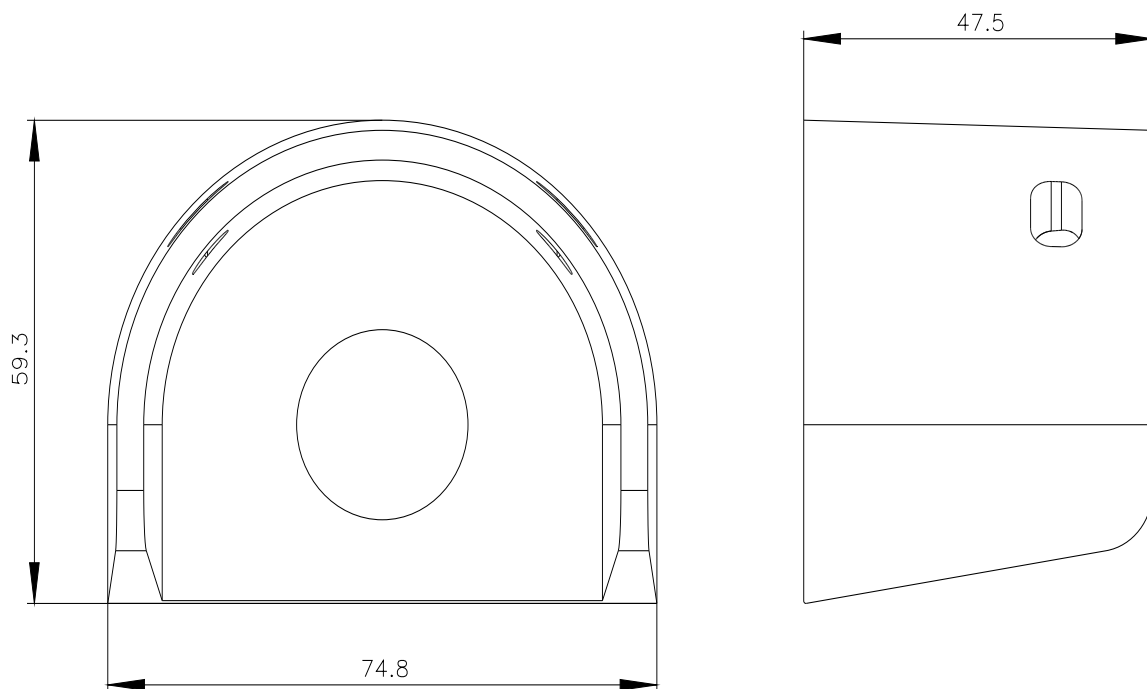
<http://support.automation.siemens.com/WW/CAXorder/default.aspx?lang=en&mlfb=3SU1900-0EX30-0AA0>

Service&Support (Manuals, Certificates, Characteristics, FAQs,...)

<https://support.industry.siemens.com/cs/ww/en/ps/3SU1900-0EX30-0AA0>

Image database (product images, 2D dimension drawings, 3D models, device circuit diagrams, EPLAN macros, ...)

http://www.automation.siemens.com/bilddb/cax_de.aspx?mlfb=3SU1900-0EX30-0AA0&lang=en



last modified:

11/9/2023 