



Labeling plate for potentiometer, black label, white font, with inscription: 0...10, Outer diameter 40 mm

product brand name	SIRIUS ACT
product designation	Labeling plate
design of the product	for potentiometers
product type designation	3SU1
General technical data	
protection class IP	IP66, IP67, IP69(IP69K)
shock resistance for railway applications according to EN 61373	Category 1, Class B
vibration resistance for railway applications according to EN 61373	Category 1, Class B
Substance Prohibitance (Date)	10/01/2014
Ambient conditions	
ambient temperature	
• during operation	70 ... -25 °C
• during storage and transport	80 ... -40 °C
Environmental footprint	
Environmental Product Declaration(EPD)	Yes
Global Warming Potential [CO2 eq] total	0.787 kg
Global Warming Potential [CO2 eq] during manufacturing	0.566 kg
Global Warming Potential [CO2 eq] during operation	0.235 kg
Global Warming Potential [CO2 eq] after end of life	-0.015 kg
Accessories	
material of accessory	Plastic
fastening method of label	without
marking of the name plate for command devices	0 ... 10
shape of the name plate for command devices	round
color of the label	black (plate); white (text)
printed ISO symbols	0 ... 10
Approvals Certificates	
General Product Approval	



[Confirmation](#)



Test Certificates

Marine / Shipping

other

Further information

Siemens has decided to exit the Russian market (see here).

<https://press.siemens.com/global/en/pressrelease/siemens-wind-down-russian-business>

Siemens is working on the renewal of the current EAC certificates.

Please contact your local Siemens office on the status of validity of the EAC certification if you intend to import or offer to supply these products to an EAC relevant market (other than the sanctioned EAEU member states Russia or Belarus).

Information on the packaging

<https://support.industry.siemens.com/cs/ww/en/view/109813875>

Information- and Downloadcenter (Catalogs, Brochures,...)

<https://www.siemens.com/ic10>

Industry Mall (Online ordering system)

<https://mall.industry.siemens.com/mall/en/en/Catalog/product?mlfb=3SU1900-0BG16-0SA0>

Cax online generator

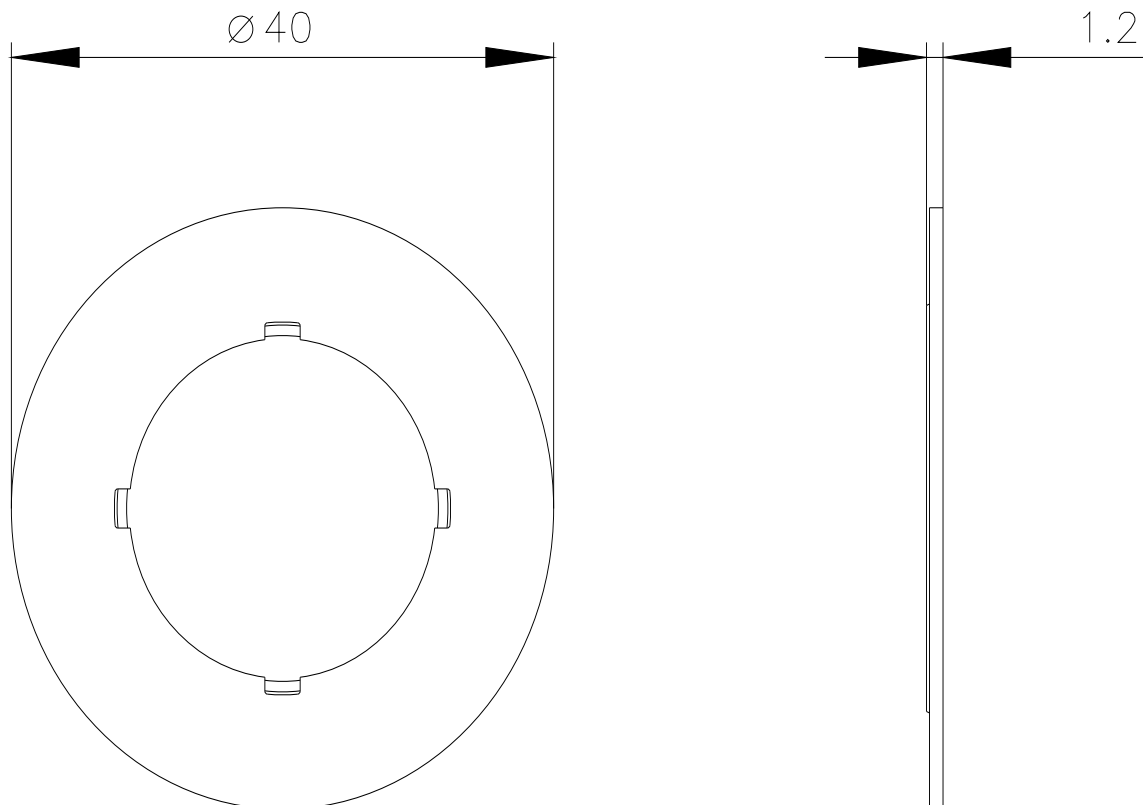
<http://support.automation.siemens.com/WW/CAXorder/default.aspx?lang=en&mlfb=3SU1900-0BG16-0SA0>

Service&Support (Manuals, Certificates, Characteristics, FAQs,...)

<https://support.industry.siemens.com/cs/ww/en/ps/3SU1900-0BG16-0SA0>

Image database (product images, 2D dimension drawings, 3D models, device circuit diagrams, EPLAN macros, ...)

http://www.automation.siemens.com/bilddb/cax_de.aspx?mlfb=3SU1900-0BG16-0SA0&lang=en



last modified:

11/9/2023 