



Enclosure for command devices, 22 mm, round, Enclosure material metal, Enclosure top part yellow, with protective collar for 5 padlocks, and mushroom diameter 60 mm, 1 control point, without equipment, floor mounting, 1xM20 each on top and bottom

|                                                                     |                                                                                                                                               |
|---------------------------------------------------------------------|-----------------------------------------------------------------------------------------------------------------------------------------------|
| product brand name                                                  | SIRIUS ACT                                                                                                                                    |
| product designation                                                 | Enclosures                                                                                                                                    |
| product type designation                                            | 3SU1                                                                                                                                          |
| <b>Enclosure</b>                                                    |                                                                                                                                               |
| design of the housing                                               | With protective collar for 5 padlocks, mushroom 60 mm                                                                                         |
| shape of the enclosure front                                        | Square                                                                                                                                        |
| material of the enclosure                                           | metal                                                                                                                                         |
| number of command points                                            | 1                                                                                                                                             |
| product component protective collar                                 | Yes                                                                                                                                           |
| color of the enclosure top part                                     | yellow                                                                                                                                        |
| fastening method of the enclosure                                   | Vertical                                                                                                                                      |
| <b>General technical data</b>                                       |                                                                                                                                               |
| protection class IP                                                 | IP66, IP67, IP69(IP69K)                                                                                                                       |
| degree of protection NEMA rating                                    | 1, 2, 3, 3R, 4, 4X, 12, 13                                                                                                                    |
| shock resistance for railway applications according to EN 61373     | Category 1, Class B                                                                                                                           |
| vibration resistance for railway applications according to EN 61373 | Category 1, Class B                                                                                                                           |
| Substance Prohibitance (Date)                                       | 10/01/2014                                                                                                                                    |
| SVHC substance name                                                 | Blei - 7439-92-1                                                                                                                              |
| cable entry type                                                    | Without                                                                                                                                       |
| <b>Connections/ Terminals</b>                                       |                                                                                                                                               |
| type of electrical connection on enclosure                          | Cable routing above and below, both 1 x M20                                                                                                   |
| tightening torque of fixing screws in the enclosure cover           | 1.5 ... 1.7 N·m                                                                                                                               |
| <b>Ambient conditions</b>                                           |                                                                                                                                               |
| ambient temperature                                                 |                                                                                                                                               |
| • during operation                                                  | -25 ... +70 °C                                                                                                                                |
| • during storage                                                    | -40 ... +80 °C                                                                                                                                |
| environmental category during operation according to IEC 60721      | 3M6, 3S2, 3B2, 3C3, 3K6 (with relative air humidity of 10 ... 95%, no condensation in operation permitted for all devices behind front panel) |
| <b>Installation/ mounting/ dimensions</b>                           |                                                                                                                                               |
| fastening method of modules and accessories                         | Floor mounting                                                                                                                                |
| height                                                              | 89.4 mm                                                                                                                                       |
| width                                                               | 85 mm                                                                                                                                         |
| depth                                                               | 112.5 mm                                                                                                                                      |
| mounting diameter                                                   | 22.3 mm                                                                                                                                       |
| positive tolerance of installation diameter                         | 0.4 mm                                                                                                                                        |
| <b>Approvals Certificates</b>                                       |                                                                                                                                               |
| General Product Approval                                            | Declaration of Conformity                                                                                                                     |



[Confirmation](#)



|                           |                   |                   |
|---------------------------|-------------------|-------------------|
| Declaration of Conformity | Test Certificates | Marine / Shipping |
|---------------------------|-------------------|-------------------|



EG-Konf.

[Type Test Certificates/Test Report](#)



ABS



LRS



PRS



RINA

|       |             |
|-------|-------------|
| other | Environment |
|-------|-------------|

[Confirmation](#)

[Environmental Confirmations](#)

### Further information

Siemens has decided to exit the Russian market (see here).

<https://press.siemens.com/global/en/pressrelease/siemens-wind-down-russian-business>

Siemens is working on the renewal of the current EAC certificates.

Please contact your local Siemens office on the status of validity of the EAC certification if you intend to import or offer to supply these products to an EAC relevant market (other than the sanctioned EAEU member states Russia or Belarus).

Information on the packaging

<https://support.industry.siemens.com/cs/ww/en/view/109813875>

Information- and Downloadcenter (Catalogs, Brochures,...)

<https://www.siemens.com/ic10>

Industry Mall (Online ordering system)

<https://mall.industry.siemens.com/mall/en/en/Catalog/product?mlfb=3SU1851-0AA00-0AH2>

Cax online generator

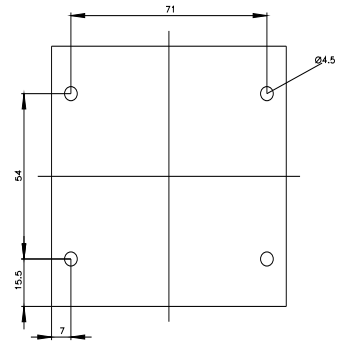
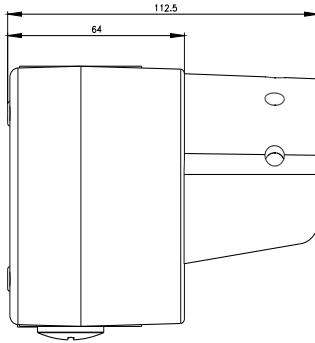
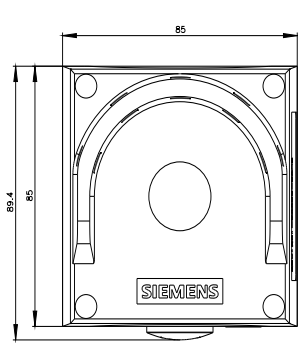
<http://support.automation.siemens.com/WW/CAXorder/default.aspx?lang=en&mlfb=3SU1851-0AA00-0AH2>

Service&Support (Manuals, Certificates, Characteristics, FAQs,...)

<https://support.industry.siemens.com/cs/ww/en/ps/3SU1851-0AA00-0AH2>

Image database (product images, 2D dimension drawings, 3D models, device circuit diagrams, EPLAN macros, ...)

[http://www.automation.siemens.com/bilddb/cax\\_de.aspx?mlfb=3SU1851-0AA00-0AH2&lang=en](http://www.automation.siemens.com/bilddb/cax_de.aspx?mlfb=3SU1851-0AA00-0AH2&lang=en)



---

last modified:

9/5/2023 