



Enclosure for command devices, 22 mm, round, enclosure material plastic, enclosure top part gray, 2 control points plastic, B=Emergency stop mushroom pushbutton red, 40 mm, rotate-to-unlatch, 2x 1 NC, black label Off, A=pushbutton, blue, 1 NO, black label Reset, spring-type terminal, floor mounting, M12 connector (8-pole) bottom, insulated reserve conductors Pin assignment: PIN1=11, PIN2=12, PIN3=21, PIN4=22, PIN5=13, PIN6=n.c. PIN7=n.c., PIN8=14, two connections at 2 inputs F-DI, labels enclosed loose

<b>product brand name</b>	SIRIUS ACT
<b>product designation</b>	Enclosures
<b>product type designation</b>	3SU1
<b>equipment of commanding and signaling device</b>	A = pushbutton / B = EMERGENCY STOP mushroom pushbutton, 40 mm, with positive latching acc. to ISO 13850 and rotate-to-unlatch mechanism
<b>manufacturer's article number</b>	
<ul style="list-style-type: none"> <li>of supplied contact module</li> <li>of supplied contact module at the command point A 1</li> <li>of supplied contact module at the command point B 1</li> <li>of supplied contact module at the command point B 2</li> <li>of the supplied holder</li> <li>of the supplied holder at the command point A</li> <li>of the supplied holder at the command point B</li> <li>of the supplied actuator</li> <li>of the supplied actuator at the command point A</li> <li>of the supplied actuator at the command point B</li> <li>of supplied empty enclosure</li> <li>of supplied accessory</li> <li>of the supplied accessories at the command point A</li> <li>of the supplied accessories at the command point B</li> </ul>	<p>A1 = 3SU1400-2AA10-3LA0 / B1 = 3SU1400-2AA10-3CA0 / B2 = 3SU1400-2AA10-3CA0</p> <p><a href="#">3SU1400-2AA10-3LA0</a></p> <p><a href="#">3SU1400-2AA10-3CA0</a></p> <p><a href="#">3SU1400-2AA10-3CA0</a></p> <p>A = 3SU1500-0AA10-0AA0, B = 3SU1500-0AA10-0AA0</p> <p><a href="#">3SU1500-0AA10-0AA0</a></p> <p><a href="#">3SU1500-0AA10-0AA0</a></p> <p>A = 3SU1000-0AA50-0AA0 / B = 3SU1000-1HB20-0AA0</p> <p><a href="#">3SU1000-0AA50-0AA0</a></p> <p><a href="#">3SU1000-1HB20-0AA0</a></p> <p><a href="#">3SU1802-0AA00-0AB1</a></p> <p>A = 3SU1900-0AF16-0DU0 / B = 3SU1900-0AF16-0DK0</p> <p><a href="#">3SU1900-0AF16-0DU0</a></p> <p><a href="#">3SU1900-0AF16-0DK0</a></p>
<b>Enclosure</b>	
<b>design of the housing</b>	with recess for label
<b>shape of the enclosure front</b>	rectangular
<b>material of the enclosure</b>	plastic
<b>number of command points</b>	2
<b>product component</b>	
<ul style="list-style-type: none"> <li>EMERGENCY STOP device</li> <li>protective collar</li> </ul>	<p>Yes</p> <p>No</p>
<b>color of the enclosure top part</b>	grey
<b>delivery state</b>	
<ul style="list-style-type: none"> <li>as a kit</li> <li>pre-wired on strip terminal</li> </ul>	<p>No</p> <p>Yes</p>
<b>fastening method of the enclosure</b>	Vertical
<b>Actuator</b>	
<b>design of the actuating element</b>	Pushbutton / EMERGENCY STOP mushroom pushbutton
suitability for use EMERGENCY OFF switch	Yes
product feature lockout	No
product extension optional light source	No
<b>color of the actuating element</b>	A = blue / B = red
<b>material of the actuating element</b>	plastic

shape of the actuating element	round
number of contact modules	3
type of unlocking device	A = none / B = rotate to unlock
<b>Front ring</b>	
product component front ring	Yes
design of the front ring	Standard
material of the front ring	plastic
color of the front ring	black
<b>Holder</b>	
material of the holder	Plastic
<b>Display</b>	
number of LED modules	0
<b>General technical data</b>	
product function	
• positive opening	Yes
• EMERGENCY OFF function	Yes
• EMERGENCY STOP function	Yes
protection class IP	IP66, IP67, IP69(IP69K)
degree of protection NEMA rating	1, 2, 3, 3R, 4, 4X, 12K, 13
shock resistance	
• according to IEC 60068-2-27	sinusoidal half-wave 15g / 11 ms
• for railway applications according to EN 61373	Category 1, Class B
vibration resistance	
• according to IEC 60068-2-6	10 ... 500 Hz: 5g
• for railway applications according to EN 61373	Category 1, Class B
reference code according to IEC 81346-2	S
continuous current of the C characteristic MCB	10 A; for a short-circuit current smaller than 400 A
continuous current of the quick DIAZED fuse link	10 A
continuous current of the DIAZED fuse link gG	10 A
Substance Prohibitance (Date)	07/01/2006
SVHC substance name	Blei - 7439-92-1
operating voltage	
• at AC	
— at 50 Hz rated value	5 ... 500 V
— at 60 Hz rated value	5 ... 500 V
• at DC rated value	5 ... 500 V
cable entry type	M12 plug, 8-pole
<b>Communication/ Protocol</b>	
design of the interface for communication	without
<b>Auxiliary circuit</b>	
design of the contact of auxiliary contacts	Silver alloy
number of NC contacts for auxiliary contacts	2
number of NO contacts for auxiliary contacts	1
<b>Connections/ Terminals</b>	
type of electrical connection of modules and accessories	Spring-type terminal
type of electrical connection on enclosure	M12 plug, 8-pole
tightening torque of the screws in the bracket	1 ... 1.2 N-m
tightening torque of fixing screws in the enclosure cover	1.5 ... 1.7 N-m
<b>Ambient conditions</b>	
ambient temperature	
• during operation	-25 ... +70 °C
• during storage	-40 ... +80 °C
environmental category during operation according to IEC 60721	3M6, 3S2, 3B2, 3K6 (with relative air humidity of 10 ... 95%, no condensation in operation permitted for all devices behind front panel)
<b>Environmental footprint</b>	
Environmental Product Declaration(EPD)	Yes
Global Warming Potential [CO2 eq] total	0.787 kg
Global Warming Potential [CO2 eq] during manufacturing	0.566 kg
Global Warming Potential [CO2 eq] during operation	0.235 kg
global warming potential [CO2 eq] after end of life	-0.015 kg

Installation/ mounting/ dimensions	
fastening method of modules and accessories	Floor mounting
height	114 mm
width	85 mm
depth	64 mm
shape of the installation opening	round
Accessories	
number of labels	2
marking of the name plate for command devices	A = "Reset" / B = "Off"
color of the label	A = black / B = black
number of inscription plates	0
number of backing plates	0

### Approvals Certificates

#### General Product Approval



[Confirmation](#)



Declaration of Conformity	Test Certificates	Marine / Shipping
---------------------------	-------------------	-------------------



[Type Test Certificates/Test Report](#)



Marine / Shipping	other	Environment
-------------------	-------	-------------



[Confirmation](#)

[Environmental Confirmations](#)

### Further information

Siemens has decided to exit the Russian market (see here).

<https://press.siemens.com/global/en/pressrelease/siemens-wind-down-russian-business>

Siemens is working on the renewal of the current EAC certificates.

Please contact your local Siemens office on the status of validity of the EAC certification if you intend to import or offer to supply these products to an EAC relevant market (other than the sanctioned EAEU member states Russia or Belarus).

Information on the packaging

<https://support.industry.siemens.com/cs/ww/en/view/109813875>

Information- and Downloadcenter (Catalogs, Brochures,...)

<https://www.siemens.com/ic10>

Industry Mall (Online ordering system)

<https://mall.industry.siemens.com/mall/en/en/Catalog/product?mlfb=3SU1802-0NE00-4SB1>

Cax online generator

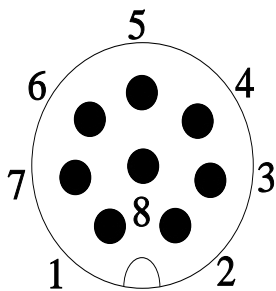
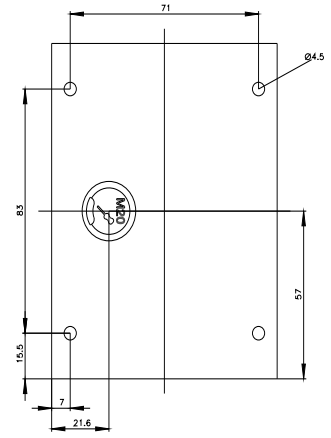
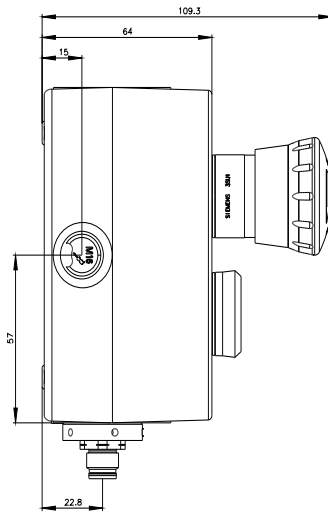
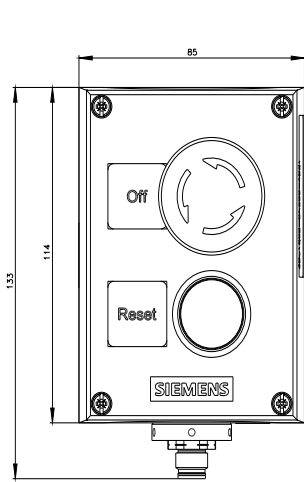
<http://support.automation.siemens.com/WW/CAXorder/default.aspx?lang=en&mlfb=3SU1802-0NE00-4SB1>

Service&Support (Manuals, Certificates, Characteristics, FAQs,...)

<https://support.industry.siemens.com/cs/ww/en/ps/3SU1802-0NE00-4SB1>

Image database (product images, 2D dimension drawings, 3D models, device circuit diagrams, EPLAN macros, ...)

[http://www.automation.siemens.com/bilddb/cax\\_de.aspx?mlfb=3SU1802-0NE00-4SB1&lang=en](http://www.automation.siemens.com/bilddb/cax_de.aspx?mlfb=3SU1802-0NE00-4SB1&lang=en)



1	White	→	11
2	Brown	→	12
3	Green	→	21
4	Yellow	→	22
5	Grey	→	13
6	Pink	→	n.c.
7	Blue	→	n.c.
8	Red	→	14

