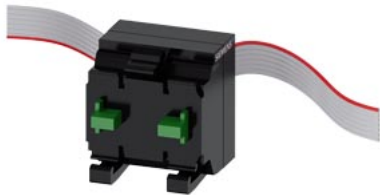


SIRIUS ACT: terminal module (command module) for front plate mounting



product brand name	SIRIUS ACT
product designation	Terminal module
design of the product	with 2 contacts
product type designation	3SU1
Display	
display version	
<ul style="list-style-type: none"> for diagnostic function: Supply voltage monitoring power LED 	Yes
<ul style="list-style-type: none"> status Tx/Rx link 	No
General technical data	
product function	
<ul style="list-style-type: none"> reverse polarity protection 	Yes; Ribbon cable can be rotated 180°.
<ul style="list-style-type: none"> diagnostics function 	Yes
firmware version	1.0.0
hardware version	1
software version with STEP 7 in the TIA Portal required	V13 SP1 (V13 SP1 and V14 with HSP0132)
power loss [W] typical	0.115 W
degree of pollution	3
type of voltage	
<ul style="list-style-type: none"> of the operating voltage 	DC
<ul style="list-style-type: none"> of the input voltage 	DC
surge voltage resistance rated value	0.8 kV
consumed current	
<ul style="list-style-type: none"> maximum 	27 mA
<ul style="list-style-type: none"> rated value 	23 mA
protection class IP	IP20
shock resistance	
<ul style="list-style-type: none"> according to IEC 60068-2-27 	sinusoidal half-wave 15g / 11 ms
<ul style="list-style-type: none"> for railway applications according to EN 61373 	Category 1, Class B
vibration resistance	
<ul style="list-style-type: none"> according to IEC 60068-2-6 	10 ... 500 Hz: 5g
<ul style="list-style-type: none"> for railway applications according to EN 61373 	Category 1, Class B
reference code according to IEC 81346-2	K
Substance Prohibitance (Date)	12/19/2016
SVHC substance name	Blei - 7439-92-1 Bleimonoxid (Bleioxid) - 1317-36-8 2-Methyl-1-(4-methylthiophenyl)-2-morpho - 71868-10-5
Communication/ Protocol	
protocol is supported	
<ul style="list-style-type: none"> PROFIsafe protocol 	No
Connections/ Terminals	

type of electrical connection	Insulation displacement connection
type of connectable conductor cross-sections	Ribbon cable 7-pole, 7 x 0.08 mm ²
connectable conductor cross-section for auxiliary contacts	
• solid or stranded	0.08 ... 0.08 mm ²
• finely stranded with core end processing	0.08 mm ²
connectable conductor cross-section	
• solid	0.08 ... 0.08 mm ²
• solid with core end processing	0.08 ... 0.08 mm ²
• finely stranded with core end processing	0.08 ... 0.08 mm ²
• finely stranded without core end processing	0.08 ... 0.08 mm ²
AWG number as coded connectable conductor cross section	28 ... 28

Safety related data

service life maximum	20 a
-----------------------------	------

Ambient conditions

ambient temperature	
• during operation	-25 ... +60 °C
• during storage	-40 ... +80 °C
environmental category during operation according to IEC 60721	3M6, 3S2, 3B2, 3K6 (with relative air humidity of 10 ... 95%, no condensation in operation permitted)
explosion protection marking for intrinsic safety of related equipment EEx ia	No
explosion protection marking for intrinsic safety of related equipment EEx ib	No

Environmental footprint

Environmental Product Declaration(EPD)	Yes
Global Warming Potential [CO2 eq] total	0.787 kg
Global Warming Potential [CO2 eq] during manufacturing	0.566 kg
Global Warming Potential [CO2 eq] during operation	0.235 kg
global warming potential [CO2 eq] after end of life	-0.015 kg

Installation/ mounting/ dimensions

fastening method of modules and accessories	Front plate mounting
height	32.6 mm
width	30 mm
depth	31.5 mm

Approvals Certificates

General Product Approval	Declaration of Conformity	Test Certificates
---------------------------------	----------------------------------	--------------------------

[Confirmation](#)



[Type Test Certificates/Test Report](#)

Test Certificates	other	Environment
--------------------------	--------------	--------------------

[Special Test Certificate](#)

[Confirmation](#)

[Environmental Conformations](#)

Further information

Siemens has decided to exit the Russian market (see here).
<https://press.siemens.com/global/en/pressrelease/siemens-wind-down-russian-business>

Siemens is working on the renewal of the current EAC certificates.

Please contact your local Siemens office on the status of validity of the EAC certification if you intend to import or offer to supply these products to an EAC relevant market (other than the sanctioned EAEU member states Russia or Belarus).

Information on the packaging

<https://support.industry.siemens.com/cs/ww/en/view/109813875>

Information- and Downloadcenter (Catalogs, Brochures,...)

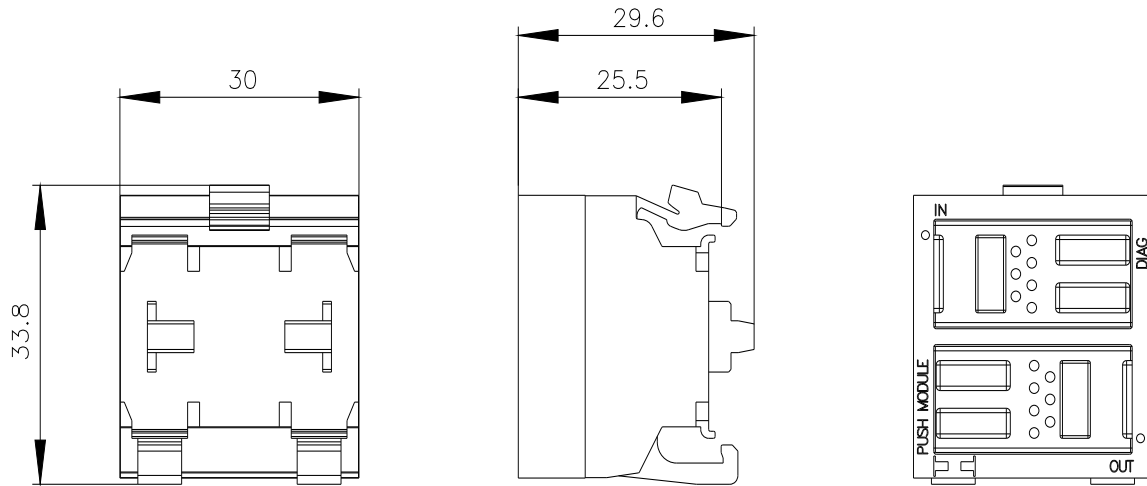
<https://www.siemens.com/ic10>

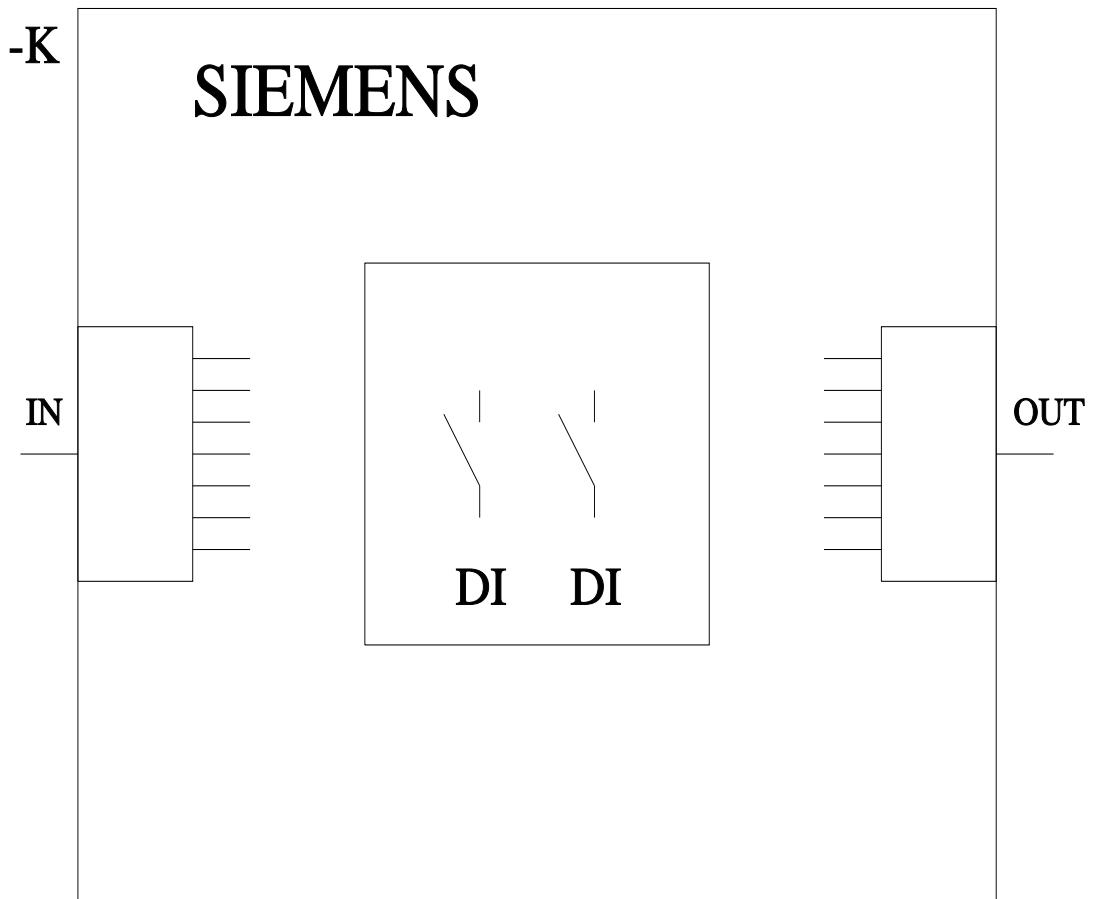
Industry Mall (Online ordering system)

<https://mall.industry.siemens.com/mall/en/en/Catalog/product?mlfb=3SU1400-1MA10-1BA1>

Cax online generator

<http://support.automation.siemens.com/WW/CAXorder/default.aspx?lang=en&mlfb=3SU1400-1MA10-1BA1>





last modified:

11/9/2023 