



Support terminal, black, screw terminal, for front plate mounting

product brand name	SIRIUS ACT	
product designation	Support terminal	
product type designation	3SU1	
General technical data		
suitability for integration	yes	
degree of pollution	3	
surge voltage resistance rated value	6 kV	
protection class IP		
• of the enclosure	IP40	
• of the terminal	IP20	
reference code according to IEC 81346-2	S	
Substance Prohibitation (Date)	10/01/2014	
Connections/ Terminals		
type of electrical connection	screw-type terminals	
• of modules and accessories	Screw-type terminal	
Ambient conditions		
ambient temperature		
• during operation	-25 ... +70 °C	
• during storage	-40 ... +80 °C	
Environmental footprint		
Environmental Product Declaration (EPD)	Yes	
Global Warming Potential [CO2 eq] total	0.787 kg	
Global Warming Potential [CO2 eq] during manufacturing	0.566 kg	
Global Warming Potential [CO2 eq] during operation	0.235 kg	
global warming potential [CO2 eq] after end of life	-0.015 kg	
Installation/ mounting/ dimensions		
fastening method of modules and accessories	Front plate mounting	
height	33.2 mm	
width	9.8 mm	
depth	23.4 mm	
Approvals Certificates		
General Product Approval	Declaration of Conformity	Test Certificates

[Confirmation](#)



[Type Test Certificates/Test Report](#)

Marine / Shipping

other

Environment



[Confirmation](#)

[Environmental Con-
firmations](#)

Further information

Siemens has decided to exit the Russian market (see here).

<https://press.siemens.com/global/en/pressrelease/siemens-wind-down-russian-business>

Siemens is working on the renewal of the current EAC certificates.

Please contact your local Siemens office on the status of validity of the EAC certification if you intend to import or offer to supply these products to an EAC relevant market (other than the sanctioned EAEU member states Russia or Belarus).

Information on the packaging

<https://support.industry.siemens.com/cs/ww/en/view/109813875>

Information- and Downloadcenter (Catalogs, Brochures,...)

<https://www.siemens.com/ic10>

Industry Mall (Online ordering system)

<https://mall.industry.siemens.com/mall/en/en/Catalog/product?mlfb=3SU1400-1DA10-1AA0>

Cax online generator

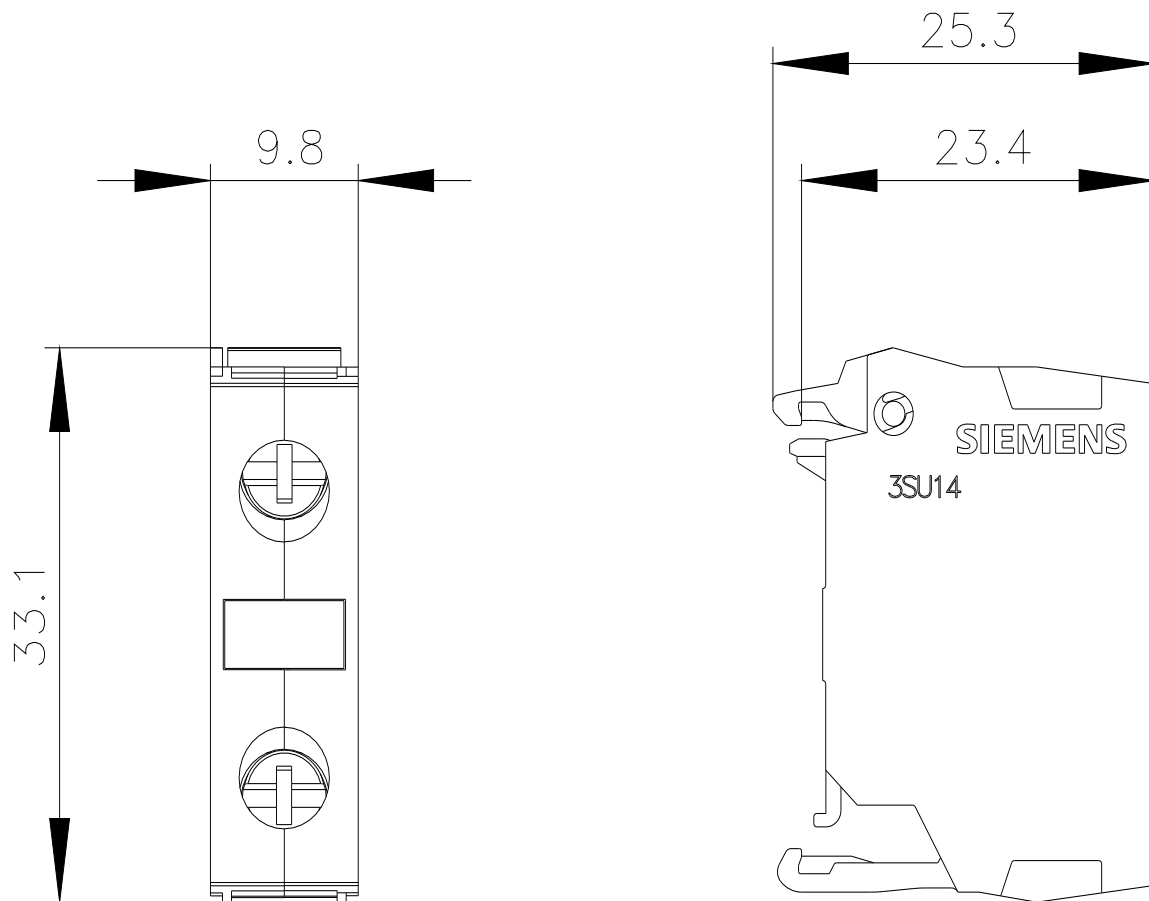
<http://support.automation.siemens.com/WW/CAXorder/default.aspx?lang=en&mlfb=3SU1400-1DA10-1AA0>

Service&Support (Manuals, Certificates, Characteristics, FAQs,...)

<https://support.industry.siemens.com/cs/ww/en/ps/3SU1400-1DA10-1AA0>

Image database (product images, 2D dimension drawings, 3D models, device circuit diagrams, EPLAN macros, ...)

http://www.automation.siemens.com/bilddb/cax_de.aspx?mlfb=3SU1400-1DA10-1AA0&lang=en



last modified:

11/9/2023