



Contact module with 2 contact elements, 1 NO+1 NC, gold-plated contacts, screw terminal, for front plate mounting

product brand name	SIRIUS ACT
product designation	Contact module
product type designation	3SU1
Contact block/ lampholder	
socket design	other
General technical data	
product function positive opening	Yes
insulation voltage rated value	500 V
degree of pollution	3
type of voltage	
• of the operating voltage	AC/DC
• of the input voltage	AC/DC
surge voltage resistance rated value	6 kV
protection class IP	
• of the enclosure	IP40
• of the terminal	IP20, clamping screw tightened
shock resistance	
• according to IEC 60068-2-27	sinusoidal half-wave 15g / 11 ms
• for railway applications according to EN 61373	Category 1, Class B
vibration resistance	
• according to IEC 60068-2-6	10 ... 500 Hz: 5g
• for railway applications according to EN 61373	Category 1, Class B
operating frequency maximum	3 600 1/h
mechanical service life (operating cycles) typical	10 000 000
electrical endurance (operating cycles) typical	10 000 000
thermal current	10 A
reference code according to IEC 81346-2	S
continuous current of the C characteristic MCB	10 A
Substance Prohibitance (Date)	10/01/2014
operating voltage	
• at AC	
— at 50 Hz rated value	5 ... 500 V
— at 60 Hz rated value	5 ... 500 V
• at DC rated value	5 ... 500 V
Power Electronics	
contact reliability	One maloperation per 100 million (17 V, 5 mA), one maloperation per 10 million (5 V, 1 mA)
Auxiliary circuit	
design of the contact of auxiliary contacts	Gold-plated
number of NC contacts for auxiliary contacts	1

<ul style="list-style-type: none"> lagging switching 	0
number of NO contacts for auxiliary contacts	1
<ul style="list-style-type: none"> leading contact 	0
operational current at AC-12	
<ul style="list-style-type: none"> at 24 V rated value 	10 A
<ul style="list-style-type: none"> at 48 V rated value 	10 A
<ul style="list-style-type: none"> at 110 V rated value 	10 A
<ul style="list-style-type: none"> at 230 V rated value 	8 A
<ul style="list-style-type: none"> at 400 V rated value 	8 A
operational current at AC-15	
<ul style="list-style-type: none"> at 24 V rated value 	6 A
<ul style="list-style-type: none"> at 48 V rated value 	6 A
<ul style="list-style-type: none"> at 110 V rated value 	6 A
<ul style="list-style-type: none"> at 230 V rated value 	6 A
<ul style="list-style-type: none"> at 400 V rated value 	3 A
<ul style="list-style-type: none"> at 500 V rated value 	1.4 A
operational current at DC-12	
<ul style="list-style-type: none"> at 24 V rated value 	10 A
<ul style="list-style-type: none"> at 48 V rated value 	5 A
<ul style="list-style-type: none"> at 110 V rated value 	2.5 A
<ul style="list-style-type: none"> at 230 V rated value 	1 A
<ul style="list-style-type: none"> at 400 V rated value 	0.3 A
<ul style="list-style-type: none"> at 500 V rated value 	0.3 A
operational current at DC-13	
<ul style="list-style-type: none"> at 24 V rated value 	3 A
<ul style="list-style-type: none"> at 48 V rated value 	1.5 A
<ul style="list-style-type: none"> at 110 V rated value 	0.7 A
<ul style="list-style-type: none"> at 230 V rated value 	0.3 A
<ul style="list-style-type: none"> at 400 V rated value 	0.1 A
<ul style="list-style-type: none"> at 500 V rated value 	0.1 A
Connections/ Terminals	
type of electrical connection	screw-type terminals
type of connectable conductor cross-sections	
<ul style="list-style-type: none"> solid with core end processing 	2x (0.5 ... 0.75 mm ²)
<ul style="list-style-type: none"> solid without core end processing 	2x (1.0 ... 1.5 mm ²)
<ul style="list-style-type: none"> finely stranded with core end processing 	2x (0.5 ... 1.5 mm ²)
<ul style="list-style-type: none"> finely stranded without core end processing 	2x (1,0 ... 1,5 mm ²)
<ul style="list-style-type: none"> for AWG cables 	2x (18 ... 14)
tightening torque with screw-type terminals	0.8 ... 0.9 N·m
Ambient conditions	
ambient temperature	
<ul style="list-style-type: none"> during operation 	-25 ... +70 °C
<ul style="list-style-type: none"> during storage 	-40 ... +80 °C
environmental category during operation according to IEC 60721	3M6, 3S2, 3B2, 3C3 (without salt spray), 3K6 (with relative humidity of 10 ... 95%, no condensation in operation permitted)
Environmental footprint	
Environmental Product Declaration (EPD)	Yes
Global Warming Potential [CO ₂ eq] total	0.787 kg
Global Warming Potential [CO ₂ eq] during manufacturing	0.566 kg
Global Warming Potential [CO ₂ eq] during operation	0.235 kg
global warming potential [CO ₂ eq] after end of life	-0.015 kg
Installation/ mounting/ dimensions	
fastening method	front plate mounting
<ul style="list-style-type: none"> of modules and accessories 	Front plate mounting
height	34 mm
width	9.8 mm
depth	49.7 mm
suitability for integration	
<ul style="list-style-type: none"> plastic enclosure 	No
<ul style="list-style-type: none"> metal enclosure 	No
Approvals Certificates	

General Product Approval



[Confirmation](#)



[KC](#)

General Product Approval

Declaration of Conformity

Test Certificates

Marine / Shipping



EG-Konf.

[Special Test Certificate](#)

[Type Test Certificates/Test Report](#)



Marine / Shipping

other

Environment



LRS



PRS



RINA

[Confirmation](#)

[Environmental Confirmations](#)

Further information

Siemens has decided to exit the Russian market (see here).

<https://press.siemens.com/global/en/pressrelease/siemens-wind-down-russian-business>

Siemens is working on the renewal of the current EAC certificates.

Please contact your local Siemens office on the status of validity of the EAC certification if you intend to import or offer to supply these products to an EAC relevant market (other than the sanctioned EAEU member states Russia or Belarus).

Information on the packaging

<https://support.industry.siemens.com/cs/ww/en/view/109813875>

Information- and Downloadcenter (Catalogs, Brochures,...)

<https://www.siemens.com/ic10>

Industry Mall (Online ordering system)

<https://mall.industry.siemens.com/mall/en/en/Catalog/product?mlfb=3SU1400-1AA10-1QA0>

Cax online generator

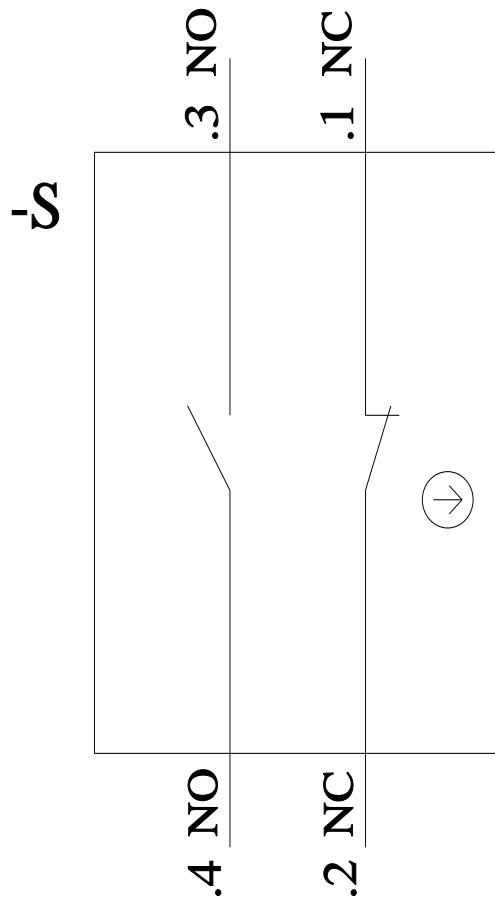
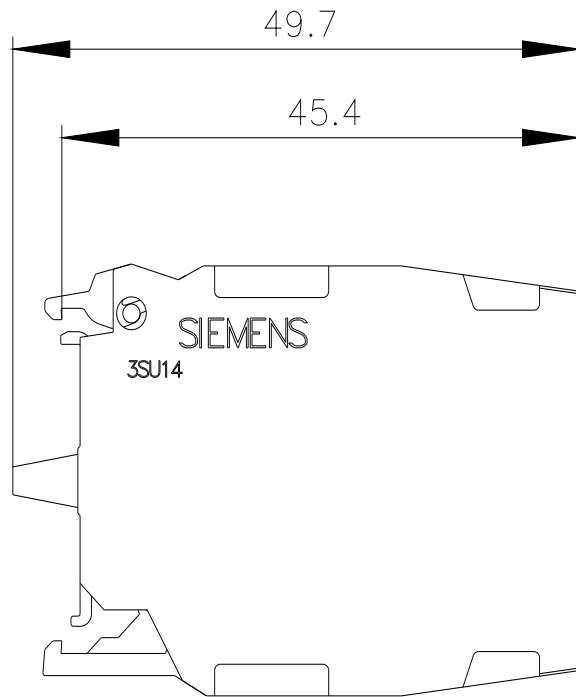
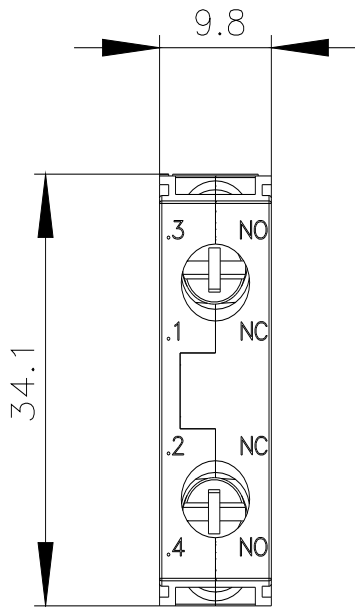
<http://support.automation.siemens.com/WW/CAXorder/default.aspx?lang=en&mlfb=3SU1400-1AA10-1QA0>

Service&Support (Manuals, Certificates, Characteristics, FAQs,...)

<https://support.industry.siemens.com/cs/ww/en/ps/3SU1400-1AA10-1QA0>

Image database (product images, 2D dimension drawings, 3D models, device circuit diagrams, EPLAN macros, ...)

http://www.automation.siemens.com/bilddb/cax_de.aspx?mlfb=3SU1400-1AA10-1QA0&lang=en



last modified:

11/8/2023

