



Illuminated pushbutton, 30 mm, round, metal, matte, yellow, front ring for flush installation, latching, Push-to-release mechanism

| | |
|--|--|
| product brand name | SIRIUS ACT |
| product designation | Illuminated pushbuttons |
| design of the product | Actuating/signaling element |
| product type designation | 3SU1 |
| product line | Metal, matt, flat, 30 mm |
| Enclosure | |
| number of command points | 1 |
| Actuator | |
| design of the actuating element | Flat button |
| principle of operation of the actuating element | latching |
| product extension optional | |
| • light source | Yes |
| • contact module | Yes |
| color of the actuating element | yellow |
| material of the actuating element | plastic |
| shape of the actuating element | round |
| outer diameter of the actuating element | 38 mm |
| type of unlocking device | push-to-unlatch mechanism |
| Front ring | |
| product component front ring | Yes |
| design of the front ring | Flat |
| material of the front ring | Metal, matt |
| color of the front ring | sand gray |
| General technical data | |
| protection class IP | IP66, IP67, IP69(IP69K) |
| degree of protection NEMA rating | 1, 2, 3, 3R, 4, 4X, 12, 13 |
| shock resistance | |
| • according to IEC 60068-2-27 | sinusoidal half-wave 15g / 11 ms |
| • for railway applications according to EN 61373 | Category 1, Class B |
| operating frequency maximum | 1 800 1/h |
| mechanical service life (operating cycles) typical | 500 000 |
| reference code according to IEC 81346-2 | S |
| Substance Prohibittance (Date) | 10/01/2014 |
| Ambient conditions | |
| ambient temperature | |
| • during operation | -25 ... +70 °C |
| • during storage | -40 ... +80 °C |
| environmental category during operation according to IEC 60721 | 3M6, 3S2, 3B2, 3C3, 3K6 (with relative air humidity of 10 ... 95%) |
| Installation/ mounting/ dimensions | |

| | |
|---|---------|
| height | 38 mm |
| width | 38 mm |
| shape of the installation opening | round |
| mounting diameter | 30.5 mm |
| positive tolerance of installation diameter | 0.5 mm |
| mounting height | 4.2 mm |
| installation width | 38 mm |
| installation depth | 31.1 mm |

Approvals Certificates

General Product Approval

Declaration of Conformity



[Confirmation](#)



EG-Konf.



Test Certificates

Marine / Shipping

[Type Test Certificates/Test Report](#)

[Special Test Certificate](#)



ABS



LRS



PRS



RINA

other

[Confirmation](#)

Further information

Siemens has decided to exit the Russian market (see here).

<https://press.siemens.com/global/en/pressrelease/siemens-wind-down-russian-business>

Siemens is working on the renewal of the current EAC certificates.

Please contact your local Siemens office on the status of validity of the EAC certification if you intend to import or offer to supply these products to an EAC relevant market (other than the sanctioned EAEU member states Russia or Belarus).

Information on the packaging

<https://support.industry.siemens.com/cs/ww/en/view/109813875>

Information- and Downloadcenter (Catalogs, Brochures,...)

<https://www.siemens.com/ic10>

Industry Mall (Online ordering system)

<https://mall.industry.siemens.com/mall/en/en/Catalog/product?mlfb=3SU1061-0JA30-0AA0>

Cax online generator

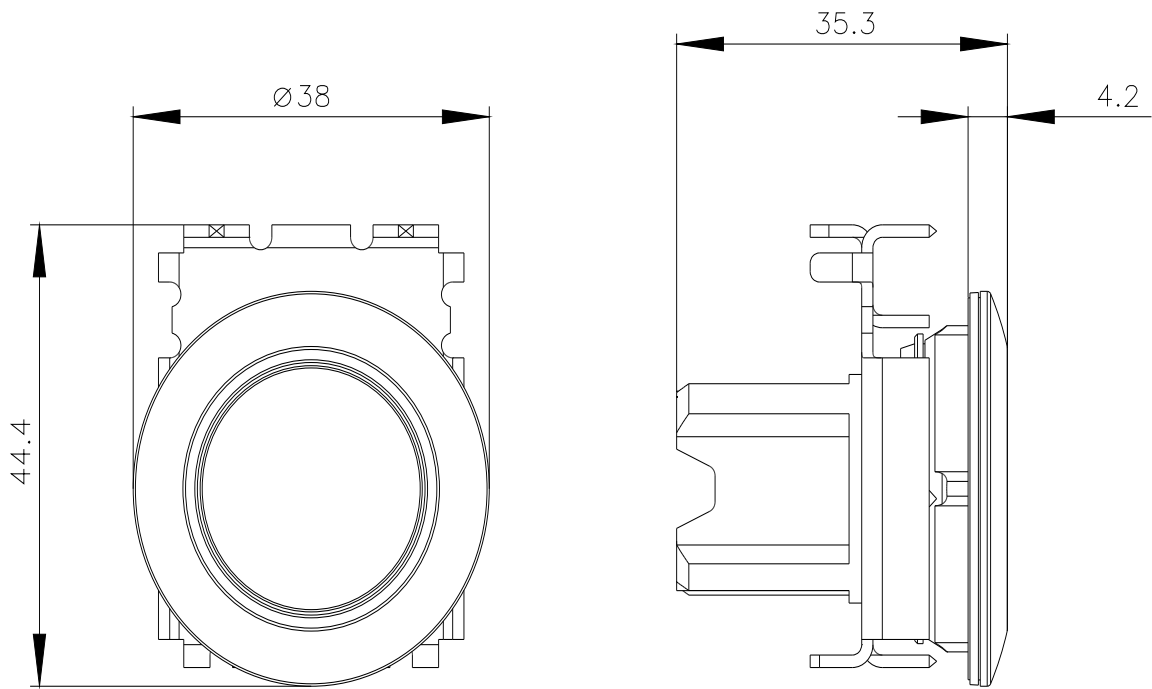
<http://support.automation.siemens.com/WW/CAXorder/default.aspx?lang=en&mlfb=3SU1061-0JA30-0AA0>

Service&Support (Manuals, Certificates, Characteristics, FAQs,...)

<https://support.industry.siemens.com/cs/ww/en/ps/3SU1061-0JA30-0AA0>

Image database (product images, 2D dimension drawings, 3D models, device circuit diagrams, EPLAN macros, ...)

http://www.automation.siemens.com/bilddb/cax_de.aspx?mlfb=3SU1061-0JA30-0AA0&lang=en



last modified:

1/26/2022 