



Illuminable selector switch, 22 mm, round, metal shiny, amber, Selector switch short, 3 switch positions I-O-II, latching, actuating angle 2x45°, 10:30h/12h/13:30h

|  |  |
|--|--|
| product brand name                                 | SIRIUS ACT                             |
| product designation                                | Selector switches                      |
| design of the product                              | Actuating/signaling element            |
| product type designation                           | 3SU1                                   |
| product line                                       | Metal, shiny, 22 mm                    |
| <b>Enclosure</b>                                   |  |
| number of command points                           | 1                                      |
| <b>Actuator</b>                                    |  |
| design of the actuating element                    | Selector, short                        |
| principle of operation of the actuating element    | latching, 2x45° (10:30 h/12 h/13:30 h) |
| product extension optional                         |  |
| • light source                                     | Yes                                    |
| • contact module                                   | Yes                                    |
| color of the actuating element                     | amber                                  |
| material of the actuating element                  | plastic                                |
| shape of the actuating element                     | Handle                                 |
| outer diameter of the actuating element            | 32.3 mm                                |
| number of switching positions                      | 3                                      |
| actuating angle                                    |  |
| • clockwise  | 45°                                    |
| • anticlockwise                                    | 45°                                    |
| <b>Front ring</b>                                  |  |
| product component front ring                       | Yes                                    |
| design of the front ring                           | standard                               |
| material of the front ring                         | Metal, high gloss                      |
| color of the front ring                            | silver                                 |
| <b>General technical data</b>                      |  |
| protection class IP                                | IP66, IP67, IP69(IP69K)                |
| degree of protection NEMA rating                   | 1, 2, 3, 3R, 4, 4X, 12, 13             |
| shock resistance                                   |  |
| • according to IEC 60068-2-27                      | sinusoidal half-wave 15g / 11 ms       |
| vibration resistance                               |  |
| • according to IEC 60068-2-6                       | 10 ... 500 Hz: 5g                      |
| operating frequency maximum                        | 1 800 1/h                              |
| mechanical service life (operating cycles) typical | 1 000 000                              |
| reference code according to IEC 81346-2            | S                                      |
| Substance Prohibitance (Date)                      | 12/19/2016                             |
| <b>Safety related data</b>                         |  |
| proportion of dangerous failures                   |  |
| • with low demand rate according to SN 31920       | 20 %                                   |

|  |         |
|--|---------|
| • with high demand rate according to SN 31920                        | 20 %    |
| <b>failure rate [FIT] with low demand rate according to SN 31920</b> | 100 FIT |
| <b>B10 value with high demand rate according to SN 31920</b>         | 300 000 |

#### IEC 62061

|  |      |
|--|------|
| <b>T1 value for proof test interval or service life according to IEC 61508</b> | 20 a |
|--|------|

#### Ambient conditions

|  |  |
|--|--|
| <b>ambient temperature</b>                                     |  |
| • during operation   | -25 ... +70 °C   |
| • during storage   | -40 ... +80 °C   |
| environmental category during operation according to IEC 60721 | 3M6, 3S2, 3B2, 3C3, 3K6 (with relative air humidity of 10 ... 95%) |

#### Environmental footprint

|  |           |
|--|-----------|
| Environmental Product Declaration (EPD)                | Yes       |
| Global Warming Potential [CO2 eq] total                | 0.593 kg  |
| Global Warming Potential [CO2 eq] during manufacturing | 0.625 kg  |
| Global Warming Potential [CO2 eq] during operation     | 0.235 kg  |
| Global Warming Potential [CO2 eq] after end of life    | -0.267 kg |

#### Installation/ mounting/ dimensions

|  |         |
|--|---------|
| <b>height</b>                                      | 32.3 mm |
| <b>width</b>                                       | 32.3 mm |
| <b>shape of the installation opening</b>           | round   |
| <b>mounting diameter</b>                           | 22.3 mm |
| <b>positive tolerance of installation diameter</b> | 0.4 mm  |
| <b>mounting height</b>                             | 28.8 mm |
| <b>installation width</b>                          | 32.3 mm |
| <b>installation depth</b>                          | 25.4 mm |

#### Approvals Certificates

##### General Product Approval



[Confirmation](#)



#### Test Certificates

##### Marine / Shipping

[Special Test Certificate](#)

[Type Test Certificates/Test Report](#)



ABS

LRS

PRS

RINA

#### other

##### Environment

[Confirmation](#)

[EPD Typ II/III \(with lifecycle assessment\)](#)

#### Further information

**Siemens has decided to exit the Russian market (see here).**

<https://press.siemens.com/global/en/pressrelease/siemens-wind-down-russian-business>

**Siemens is working on the renewal of the current EAC certificates.**

Please contact your local Siemens office on the status of validity of the EAC certification if you intend to import or offer to supply these products to an EAC relevant market (other than the sanctioned EAEU member states Russia or Belarus).

**Information on the packaging**

<https://support.industry.siemens.com/cs/ww/en/view/109813875>

**Information- and Downloadcenter (Catalogs, Brochures,...)**

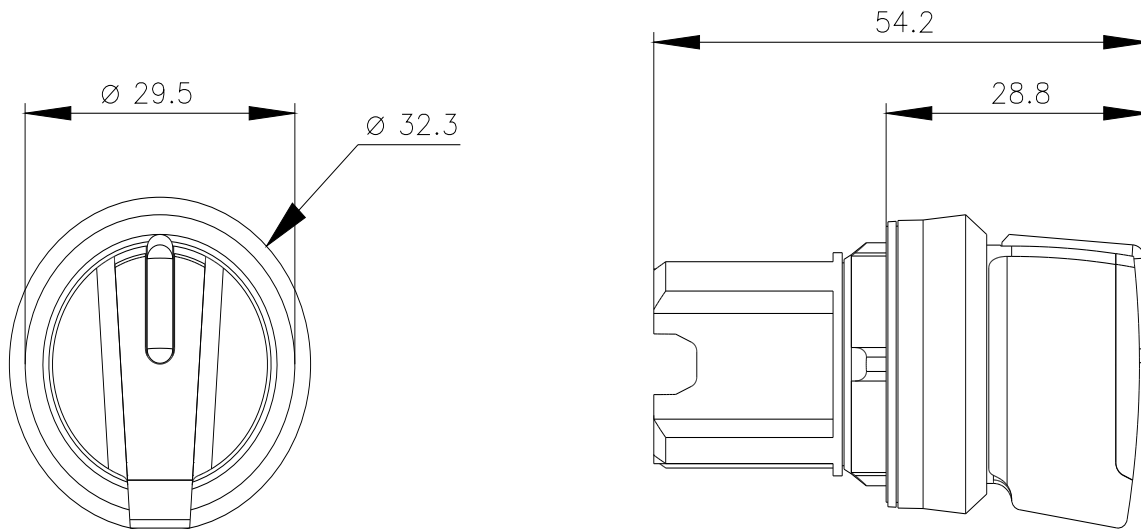
<https://www.siemens.com/ic10>

**Industry Mall (Online ordering system)**

<https://mall.industry.siemens.com/mall/en/en/Catalog/product?mlfb=3SU1052-2BL00-0AA0>

**Cax online generator**

<http://support.automation.siemens.com/WWW/CAXorder/default.aspx?lang=en&mlfb=3SU1052-2BL00-0AA0>



---

last modified:

11/4/2023 