



Coordinate switch, 22 mm, round, plastic, black, 4 switch positions, latching, with mechanical interlocking

|  |                                  |
|--|----------------------------------|
| product brand name                                       | SIRIUS ACT                       |
| product designation                                      | Coordinate switches              |
| design of the product                                    | Actuating/signaling element      |
| product type designation                                 | 3SU1                             |
| product line   | Plastic, black, 22 mm            |
| <b>Enclosure</b>   |                                  |
| number of command points                                 | 1                                |
| <b>Actuator</b>  |                                  |
| design of the actuating element                          | with mechanical interlocking     |
| principle of operation of the actuating element          | latching                         |
| direction of actuation                                   | horizontal / vertical            |
| product extension optional                               |                                  |
| • light source   | No                               |
| • contact module   | Yes                              |
| color of the actuating element                           | black                            |
| material of the actuating element                        | plastic                          |
| shape of the actuating element                           | Extended handle                  |
| outer diameter of the actuating element                  | 30.5 mm                          |
| type of unlocking device                                 | push-to-unlatch mechanism        |
| number of switching positions                            | 4                                |
| Maximum deflection angle [°]                             | 30°                              |
| <b>Front ring</b>  |                                  |
| product component front ring                             | Yes                              |
| design of the front ring                                 | high                             |
| material of the front ring                               | plastic                          |
| color of the front ring                                  | black                            |
| <b>General technical data</b>                            |                                  |
| protection class IP                                      | IP65, IP67                       |
| degree of protection NEMA rating                         | 1, 2, 3, 3R, 4, 4X, 12, 13       |
| shock resistance   |                                  |
| • according to IEC 60068-2-27                            | sinusoidal half-wave 15g / 11 ms |
| vibration resistance                                     |                                  |
| • according to IEC 60068-2-6                             | 10 ... 500 Hz: 5g                |
| operating frequency maximum                              | 2 400 1/h                        |
| mechanical service life (operating cycles)               |                                  |
| • as operating period per direction of actuation typical | 100 000                          |
| reference code according to IEC 81346-2                  | S                                |
| Substance Prohibitance (Date)                            | 10/01/2014                       |
| <b>Safety related data</b>                               |                                  |
| proportion of dangerous failures                         |                                  |

|  |         |
|--|---------|
| • with low demand rate according to SN 31920                         | 20 %    |
| • with high demand rate according to SN 31920                        | 20 %    |
| <b>failure rate [FIT] with low demand rate according to SN 31920</b> | 100 FIT |
| <b>B10 value with high demand rate according to SN 31920</b>         | 100 000 |

### IEC 62061

|  |      |
|--|------|
| <b>T1 value for proof test interval or service life according to IEC 61508</b> | 20 a |
|--|------|

### Ambient conditions

|  |  |
|--|--|
| <b>ambient temperature</b>                                     |  |
| • during operation   | -25 ... +70 °C   |
| • during storage   | -40 ... +80 °C   |
| environmental category during operation according to IEC 60721 | 3M6, 3S2, 3B2, 3C3, 3K6 (with relative air humidity of 10 ... 95%) |

### Environmental footprint

|  |           |
|--|-----------|
| Environmental Product Declaration (EPD)                | Yes       |
| Global Warming Potential [CO2 eq] total                | 0.787 kg  |
| Global Warming Potential [CO2 eq] during manufacturing | 0.566 kg  |
| Global Warming Potential [CO2 eq] during operation     | 0.235 kg  |
| Global Warming Potential [CO2 eq] after end of life    | -0.015 kg |

### Installation/ mounting/ dimensions

|   |         |
|---|---------|
| height                                      | 30.5 mm |
| width                                       | 30.5 mm |
| shape of the installation opening           | round   |
| mounting diameter                           | 22.3 mm |
| positive tolerance of installation diameter | 0.4 mm  |
| mounting height                             | 75.6 mm |
| installation width                          | 30.5 mm |
| installation depth                          | 25.5 mm |

### Approvals Certificates

|                          |                           |
|--------------------------|---------------------------|
| General Product Approval | Declaration of Conformity |
|--------------------------|---------------------------|



[Confirmation](#)



### Test Certificates

Marine / Shipping

[Special Test Certificate](#)

[Type Test Certificates/Test Report](#)



### other

Environment

[Confirmation](#)

[Environmental Confirmations](#)

### Further information

Siemens has decided to exit the Russian market (see here).  
<https://press.siemens.com/global/en/pressrelease/siemens-wind-down-russian-business>

Siemens is working on the renewal of the current EAC certificates.

Please contact your local Siemens office on the status of validity of the EAC certification if you intend to import or offer to supply these products to an EAC relevant market (other than the sanctioned EAEU member states Russia or Belarus).

Information on the packaging

<https://support.industry.siemens.com/cs/ww/en/view/109813875>

Information- and Downloadcenter (Catalogs, Brochures,...)

<https://www.siemens.com/ic10>

Industry Mall (Online ordering system)

<https://mall.industry.siemens.com/mall/en/en/Catalog/product?mlfb=3SU1000-7BE10-0AA0>

Cax online generator

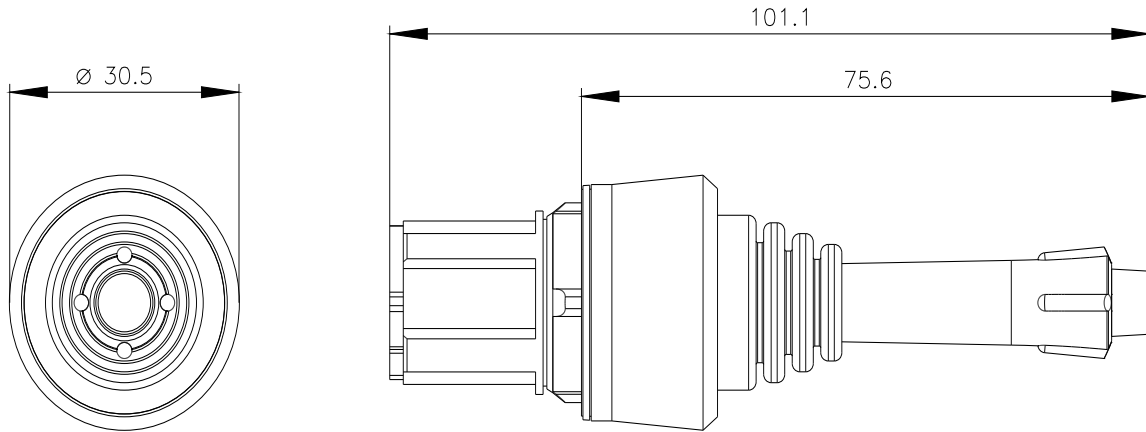
<http://support.automation.siemens.com/WW/CAXorder/default.aspx?lang=en&mlfb=3SU1000-7BE10-0AA0>

Service&Support (Manuals, Certificates, Characteristics, FAQs,...)

<https://support.industry.siemens.com/cs/ww/en/ps/3SU1000-7BE10-0AA0>

Image database (product images, 2D dimension drawings, 3D models, device circuit diagrams, EPLAN macros, ...)

[http://www.automation.siemens.com/bilddb/cax\\_de.aspx?mlfb=3SU1000-7BE10-0AA0&lang=en](http://www.automation.siemens.com/bilddb/cax_de.aspx?mlfb=3SU1000-7BE10-0AA0&lang=en)



---

last modified:

11/4/2023 