



Key-operated switch BKS, 22 mm, round, plastic, lock number S1, with 2 keys, 3 switch positions I-O<II, left latching, right momentary contact type, actuating angle 2x45°, 10:30h/12h/13:30h, Key removal O+I

| | |
|--|--|
| product brand name | SIRIUS ACT |
| product designation | Key-operated switches |
| design of the product | Actuating/signaling element |
| product type designation | 3SU1 |
| product line | Plastic, black, 22 mm |
| manufacturer's article number of included key | 3SU1950-0FD80-0AA0 |
| Actuator | |
| principle of operation of the actuating element | latching/momentary contact, 2x45° (10:30 h/12 h/13:30 h), return from right, left latching |
| product extension optional light source | No |
| color | |
| • of the actuating element | silver |
| material of the actuating element | metal |
| shape of the actuating element | Key |
| outer diameter of the actuating element | 29.5 mm |
| number of switching positions | 3 |
| switch position for key distraction | O+I |
| actuating angle | |
| • clockwise | 45° |
| • anticlockwise | 45° |
| lock make | BCS |
| key number | S1 |
| Front ring | |
| product component front ring | Yes |
| design of the front ring | Standard |
| material of the front ring | plastic |
| color of the front ring | black |
| General technical data | |
| protection class IP | IP66, IP67, IP69(IP69K) |
| • of the terminal | IP20 |
| degree of protection NEMA rating | 1, 2, 3, 3R, 4, 4X, 12, 13 |
| shock resistance | |
| • according to IEC 60068-2-27 | sinusoidal half-wave 15g / 11 ms |
| • for railway applications according to EN 61373 | Category 1, Class B |
| operating frequency maximum | 1 800 1/h |
| mechanical service life (operating cycles) typical | 1 000 000 |
| reference code according to IEC 81346-2 | S |
| Substance Prohibitance (Date) | 10/01/2014 |
| Ambient conditions | |
| ambient temperature | |

| | |
|--|--|
| <ul style="list-style-type: none"> during operation during storage | -25 ... +70 °C -40 ... +80 °C |
| environmental category during operation according to IEC 60721 | 3M6, 3S2, 3B2, 3C3, 3K6 (with relative air humidity of 10 ... 95%) |

Environmental footprint

| | |
|--|-----------|
| Environmental Product Declaration(EPD) | Yes |
| Global Warming Potential [CO2 eq] total | 0.787 kg |
| Global Warming Potential [CO2 eq] during manufacturing | 0.566 kg |
| Global Warming Potential [CO2 eq] during operation | 0.235 kg |
| global warming potential [CO2 eq] after end of life | -0.015 kg |

Installation/ mounting/ dimensions

| | |
|---|---------|
| height | 29.5 mm |
| width | 29.5 mm |
| shape of the installation opening | round |
| mounting diameter | 22.3 mm |
| positive tolerance of installation diameter | 0.4 mm |
| mounting height | 56.3 mm |
| installation width | 29.5 mm |
| installation depth | 25.4 mm |

Approvals Certificates

| General Product Approval | Declaration of Conformity |
|--|---|
|  Confirmation |     |

Test Certificates

| Test Certificates | Marine / Shipping |
|--|---|
| Special Test Certificate | Type Test Certificates/Test Report |
| |     |

other

| Environment |
|---|
| Confirmation |
| Environmental Confirmations |

Further information

Siemens has decided to exit the Russian market (see here).
<https://press.siemens.com/global/en/pressrelease/siemens-wind-down-russian-business>

Siemens is working on the renewal of the current EAC certificates.
Please contact your local Siemens office on the status of validity of the EAC certification if you intend to import or offer to supply these products to an EAC relevant market (other than the sanctioned EAEU member states Russia or Belarus).

Information on the packaging
<https://support.industry.siemens.com/cs/ww/en/view/109813875>

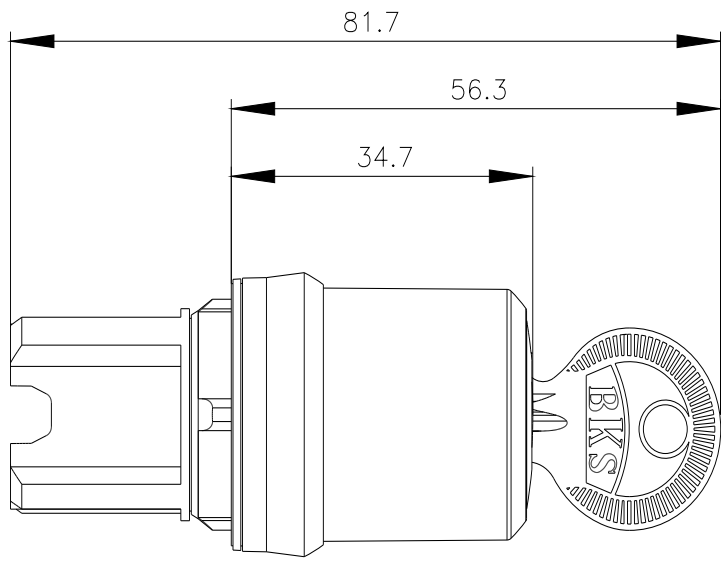
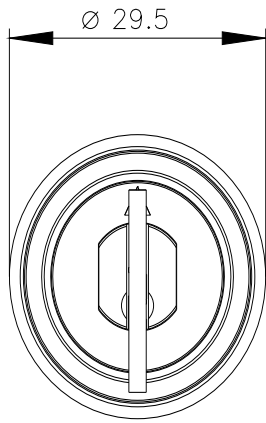
Information- and Downloadcenter (Catalogs, Brochures,...)
<https://www.siemens.com/ic10>

Industry Mall (Online ordering system)
<https://mall.industry.siemens.com/mall/en/en/Catalog/product?mifb=3SU1000-5PN51-0AA0>

Cax online generator
<https://support.automation.siemens.com/WW/CAXorder/default.aspx?lang=en&mifb=3SU1000-5PN51-0AA0>

Service&Support (Manuals, Certificates, Characteristics, FAQs,...)
<https://support.industry.siemens.com/cs/ww/en/ps/3SU1000-5PN51-0AA0>

Image database (product images, 2D dimension drawings, 3D models, device circuit diagrams, EPLAN macros, ...)
http://www.automation.siemens.com/bilddb/cax_de.aspx?mifb=3SU1000-5PN51-0AA0&lang=en



last modified:

11/7/2023 