



safety position switch with tumbler locking force 1300 N 5 approach directions plastic enclosure, M12 plug ASI safe integrated high degree of protection IP69, IEC 60529 channel 1=actuator 2 NC according to principle of 2v2 evaluation channel 2=magnet 1 NC spring-locked auxiliary release on front magnet voltage 24 V AC/DC monitoring actuator 2 NC/1 NO monitoring magnet 2 NC/1 NO the matching separate actuator 3SE5000-0AV0 must be ordered separately

product brand name	SIRIUS
product designation	Mechanical safety switches
design of the product	with separate actuator and with tumbler
product type designation	3SF13
manufacturer's article number of the optional actuators	3SE5000-0AV01 standard actuator, 3SE5000-0AV02 actuator with vertical mounting, 3SE5000-0AV03 actuator with transverse mounting, 3SE5000-0AV04 radius actuator left, 3SE5000-0AV05 universal actuator, 3SE5000-0AV06 radius actuator right, 3SE5000-0AV07 heavy duty actuator
suitability for use safety switch	Yes
<b>General technical data</b>	
product function positive opening	Yes
locking force	1 300 N
• according to EN ISO 14119	1 000 N
insulation voltage rated value	30 V
degree of pollution	class 3
surge voltage resistance rated value	0.8 kV
protection class IP	IP66, IP67, IP69
shock resistance	30g / 11 ms
• according to IEC 60068-2-27	30g / 11 ms
vibration resistance	0.35 mm / 5g
• according to IEC 60068-2-6	0.35 mm/5g
mechanical service life (operating cycles) typical	1 000 000
material of the enclosure of the switch head	plastic
reference code according to IEC 81346-2	B
repeat accuracy	0.1 mm
Substance Prohibitance (Date)	03/01/2017
SVHC substance name	Blei - 7439-92-1 Bleimonoxid (Bleioxid) - 1317-36-8
minimum actuating force in directions of actuation	30 N
<b>Ambient conditions</b>	
ambient temperature	
• during operation	-25 ... +60 °C
• during storage	-40 ... +80 °C
<b>Enclosure</b>	
design of the housing	special design
material of the enclosure	plastic
design of the housing according to standard	No
<b>Drive Head</b>	
design of the actuating element	5 directions of approach
design of the switching function	positive opening
number of directions of actuation	5

<b>design of plug-in connection</b>	M12 plug, 4-pole: Pin 1 = ASI+ , Pin 2 = not assigned, Pin 3= ASI-, Pin 4 = not assigned	
<b>Installation/ mounting/ dimensions</b>		
<b>mounting position</b>	any	
<b>fastening method</b>	screw fixing	
<b>Connections/ Terminals</b>		
<b>type of electrical connection</b>	M12 plug, fixed	
<b>Supply voltage</b>		
<b>supply voltage of magnet coil</b>	24 V	
<b>Communication/ Protocol</b>		
<b>design of the interface</b>	M12 plug, fixed	
<b>Safety related data</b>		
B10 value with high demand rate according to SN 31920	1 000 000	
proportion of dangerous failures with high demand rate according to SN 31920	20 %	
<b>Certificates/ approvals</b>		
<b>General Product Approval</b>	<b>Declaration of Conformity</b>	<b>other</b>



<b>other</b>	<b>Dangerous Good</b>
--------------	-----------------------

[Confirmation](#)

[Miscellaneous](#)

[Transport Information](#)

**Further information**

**Siemens has decided to exit the Russian market (see here).**  
<https://press.siemens.com/global/en/pressrelease/siemens-wind-down-russian-business>

**Siemens is working on the renewal of the current EAC certificates.**  
Please contact your local Siemens office on the status of validity of the EAC certification if you intend to import or offer to supply these products to an EAC relevant market (other than the sanctioned EAEU member states Russia or Belarus).

**Information on the packaging**  
<https://support.industry.siemens.com/cs/ww/en/view/109813875>

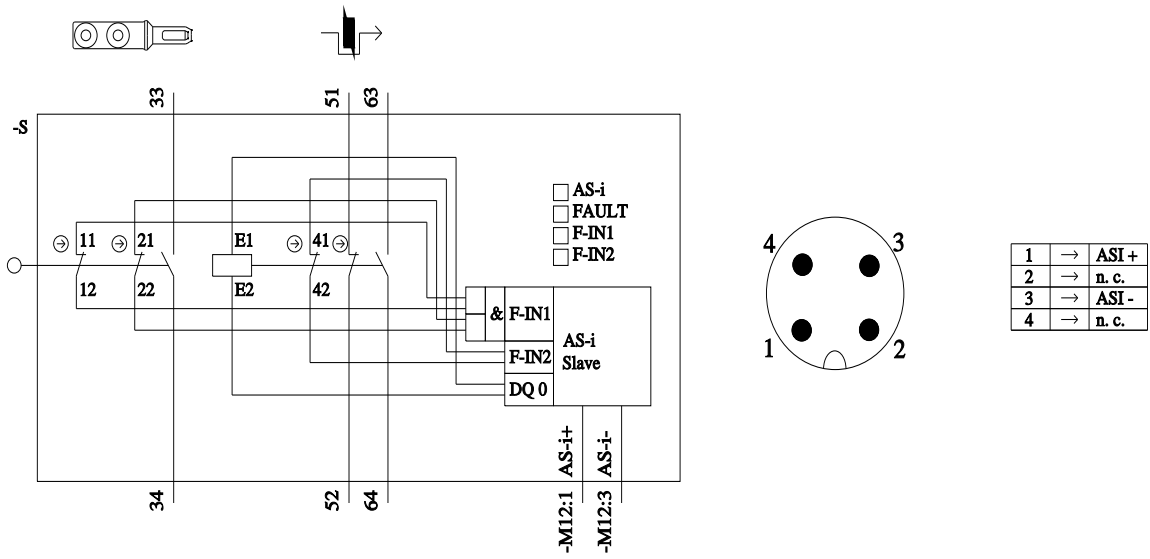
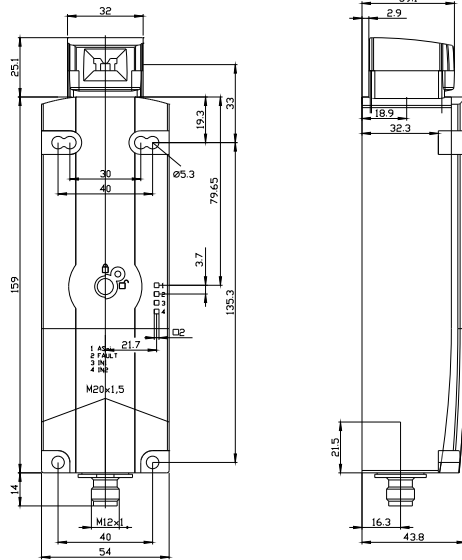
**Information- and Downloadcenter (Catalogs, Brochures,...)**  
<https://www.siemens.com/ic10>

**Industry Mall (Online ordering system)**  
<https://mall.industry.siemens.com/mall/en/en/Catalog/product?mlfb=3SF1324-1SD21-1BK4>

**Cax online generator**  
<http://support.automation.siemens.com/WW/CAXorder/default.aspx?lang=en&mlfb=3SF1324-1SD21-1BK4>

**Service&Support (Manuals, Certificates, Characteristics, FAQs,...)**  
<https://support.industry.siemens.com/cs/ww/en/ps/3SF1324-1SD21-1BK4>

**Image database (product images, 2D dimension drawings, 3D models, device circuit diagrams, EPLAN macros, ...)**  
[http://www.automation.siemens.com/bilddb/cax\\_de.aspx?mlfb=3SF1324-1SD21-1BK4&lang=en](http://www.automation.siemens.com/bilddb/cax_de.aspx?mlfb=3SF1324-1SD21-1BK4&lang=en)



last modified:

9/5/2023