



Conveyor belt unbalance tracker Metal enclosure, 2 x M25 x 1.5 2 NO+2 NC, with latching according to EN ISO 13850 Pushbutton release

<b>product brand name</b>	SIRIUS
<b>product designation</b>	cable-operated switch
<b>product type designation</b>	3SE7
<b>General technical data</b>	
product function EMERGENCY STOP function	No
product component light source	No
<b>insulation voltage rated value</b>	400 V
<b>degree of pollution</b>	class 3
<b>surge voltage resistance rated value</b>	6 kV
<b>protection class IP</b>	IP65
<b>mechanical service life (operating cycles) typical</b>	100 000
<b>thermal current</b>	6 A
<b>reference code according to IEC 81346-2</b>	S
<b>continuous current of the DIAZED fuse link gG</b>	6 A
<b>Substance Prohibitance (Date)</b>	07/01/2006
<b>SVHC substance name</b>	Blei - 7439-92-1
<b>Ambient conditions</b>	
ambient temperature during operation	-25 ... +70 °C
<b>number of NC contacts for auxiliary contacts</b>	2
<b>number of NO contacts for auxiliary contacts</b>	2
<b>operational current at AC-15</b>	
• at 240 V rated value	6 A
• at 400 V rated value	6 A
<b>operational current at DC-13</b>	
• at 24 V rated value	3 A
• at 250 V rated value	0.27 A
<b>Enclosure</b>	
<b>material of the enclosure</b>	metal
<b>material of the enclosure cover</b>	Metal
product component EMERGENCY STOP device	No
<b>color</b>	
• of the enclosure	black
• of the enclosure top part	grey
<b>coating of the enclosure</b>	painted
<b>Display</b>	
<b>product function status display</b>	No
<b>circuit principle</b>	Jump function
<b>material of the contact</b>	Silver
number of switching contacts safety-related	2
<b>cable entry type</b>	2x M25 x 1,5

Installation/ mounting/ dimensions	
fastening method	screw fixing
height	160 mm
width	135 mm
depth	206 mm

Connections/ Terminals	
type of electrical connection	screw-type terminals
type of connectable conductor cross-sections	
<ul style="list-style-type: none"> <li>• solid</li> <li>• finely stranded with core end processing</li> <li>• for AWG cables solid</li> <li>• for AWG cables stranded</li> </ul>	2x (0.5 ... 2.5 mm <sup>2</sup> ) 2x (0.5 ... 2.5 mm <sup>2</sup> ) 2x (20 ... 14) 2x (20 ... 14)

Safety related data	
B10 value with high demand rate according to SN 31920	100 000
proportion of dangerous failures with high demand rate according to SN 31920	50 %

Certificates/ approvals	
General Product Approval	Marine / Shipping



[Confirmation](#)



Marine / Shipping	other
-------------------	-------



[Confirmation](#)

#### Further information

Siemens has decided to exit the Russian market (see here).

<https://press.siemens.com/global/en/pressrelease/siemens-wind-down-russian-business>

Siemens is working on the renewal of the current EAC certificates.

Please contact your local Siemens office on the status of validity of the EAC certification if you intend to import or offer to supply these products to an EAC relevant market (other than the sanctioned EAEU member states Russia or Belarus).

Information on the packaging

<https://support.industry.siemens.com/cs/ww/en/view/109813875>

Information- and Downloadcenter (Catalogs, Brochures,...)

<https://www.siemens.com/ic10>

Industry Mall (Online ordering system)

<https://mall.industry.siemens.com/mall/en/en/Catalog/product?mlfb=3SE7310-1AE00>

Cax online generator

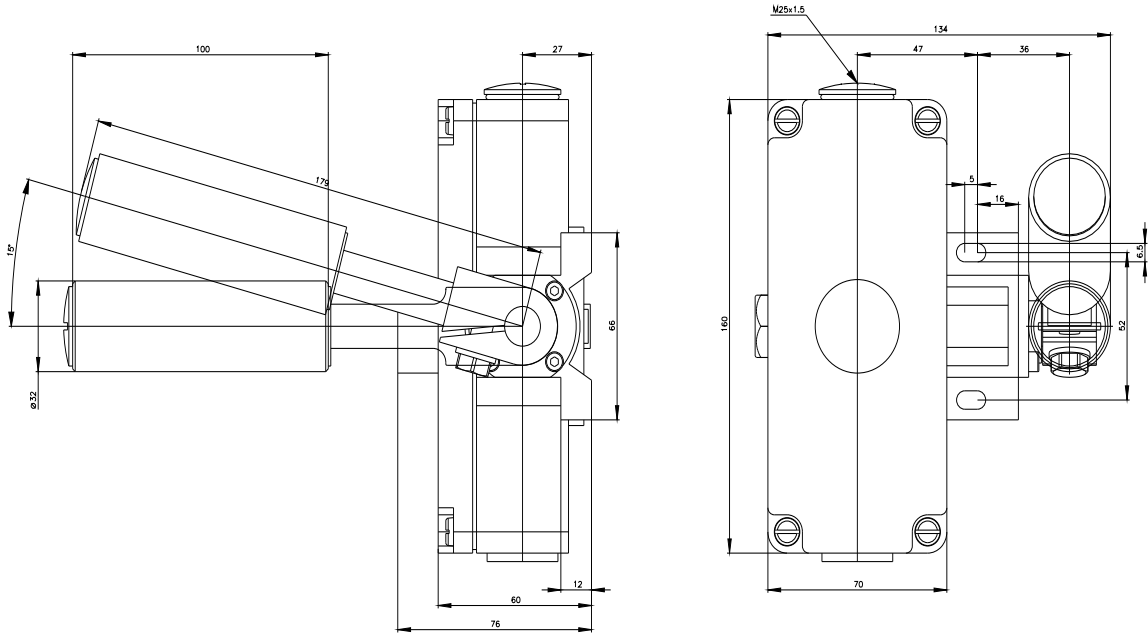
<http://support.automation.siemens.com/WW/CAXorder/default.aspx?lang=en&mlfb=3SE7310-1AE00>

Service&Support (Manuals, Certificates, Characteristics, FAQs,...)

<https://support.industry.siemens.com/cs/ww/en/ps/3SE7310-1AE00>

Image database (product images, 2D dimension drawings, 3D models, device circuit diagrams, EPLAN macros, ...)

[http://www.automation.siemens.com/bilddb/cax\\_de.aspx?mlfb=3SE7310-1AE00&lang=en](http://www.automation.siemens.com/bilddb/cax_de.aspx?mlfb=3SE7310-1AE00&lang=en)



last modified:

9/5/2023 