



SIRIUS cable-operated switch metal enclosure with yellow cover 2 x M20 x 1.5; 1 NO+2 NC, with latching according to EN ISO 13850 button reset, for cable length 20 m

product brand name	SIRIUS
product designation	cable-operated switch
product type designation	3SE7
General technical data	
product function EMERGENCY STOP function	Yes
product component light source	No
insulation voltage rated value	250 V
degree of pollution	class 3
surge voltage resistance rated value	6 kV
protection class IP	IP65
mechanical service life (operating cycles) typical	100 000
thermal current	2 A
reference code according to IEC 81346-2	S
continuous current of the DIAZED fuse link gG	2 A
Substance Prohibitance (Date)	07/01/2006
Ambient conditions	
ambient temperature during operation	-25 ... +70 °C
number of NC contacts for auxiliary contacts	2
number of NO contacts for auxiliary contacts	1
operational current at AC-15	
• at 240 V rated value	2 A
operational current at DC-13	
• at 24 V rated value	3 A
• at 250 V rated value	0.27 A
Enclosure	
material of the enclosure	metal
material of the enclosure cover	Plastic
product component EMERGENCY STOP device	No
color	
• of the enclosure	black
• of the enclosure top part	yellow
coating of the enclosure	painted
Display	
product function status display	Yes
circuit principle	Jump function
material of the contact	Silver
number of switching contacts safety-related	2
cable entry type	2x M20 x 1,5
Installation/ mounting/ dimensions	
fastening method	screw fixing

height	171 mm	
width	52 mm	
depth	54 mm	
Connections/ Terminals		
type of electrical connection	screw-type terminals	
type of connectable conductor cross-sections		
<ul style="list-style-type: none"> • solid 	2x (0.5 ... 2.5 mm ²)	
<ul style="list-style-type: none"> • finely stranded with core end processing 	2x (0.5 ... 2.5 mm ²)	
<ul style="list-style-type: none"> • for AWG cables solid 	2x (20 ... 14)	
<ul style="list-style-type: none"> • for AWG cables stranded 	2x (20 ... 14)	
Safety related data		
B10 value with high demand rate according to SN 31920	100 000	
proportion of dangerous failures with high demand rate according to SN 31920	50 %	
Certificates/ approvals		
General Product Approval	Declaration of Conformity	Marine / Shipping

[Confirmation](#)



Marine / Shipping

other



[Confirmation](#)

Further information

Siemens has decided to exit the Russian market (see here).

<https://press.siemens.com/global/en/pressrelease/siemens-wind-down-russian-business>

Siemens is working on the renewal of the current EAC certificates.

Please contact your local Siemens office on the status of validity of the EAC certification if you intend to import or offer to supply these products to an EAC relevant market (other than the sanctioned EAEU member states Russia or Belarus).

Information on the packaging

<https://support.industry.siemens.com/cs/ww/en/view/109813875>

Information- and Downloadcenter (Catalogs, Brochures,...)

<https://www.siemens.com/ic10>

Industry Mall (Online ordering system)

<https://mall.industry.siemens.com/mall/en/en/Catalog/product?mlfb=3SE7150-1BH00>

Cax online generator

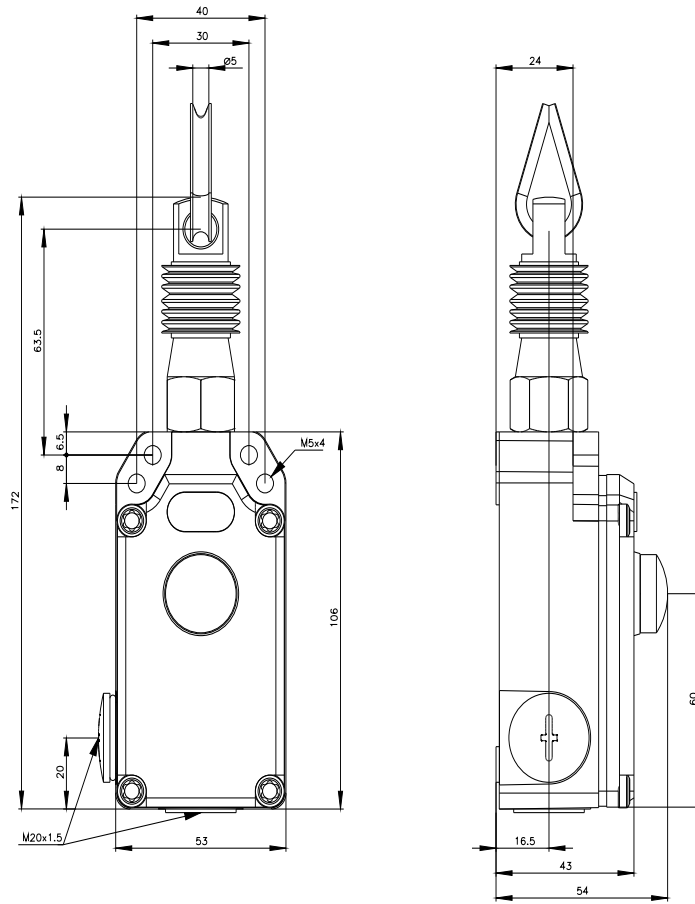
<http://support.automation.siemens.com/WW/CAXorder/default.aspx?lang=en&mlfb=3SE7150-1BH00>

Service&Support (Manuals, Certificates, Characteristics, FAQs,...)

<https://support.industry.siemens.com/cs/ww/en/ps/3SE7150-1BH00>

Image database (product images, 2D dimension drawings, 3D models, device circuit diagrams, EPLAN macros, ...)

http://www.automation.siemens.com/bilddb/cax_de.aspx?mlfb=3SE7150-1BH00&lang=en



last modified:

12/23/2020 