

Solenoid rectangular small



product brand name	SIRIUS
product designation	Magnetically operated switch
design of the product	Coded magnet, rectangular
product type designation	3SE67
suitability for use safety-related circuits	Yes
General technical data	
product function	
• positive opening	No
• cross-circuit/short-circuit recognition	No
protection class IP	IP67
reference code according to IEC 81346-2	S
Substance Prohibitance (Date)	07/01/2006
height of the sensor	13 mm
length of the sensor	33 mm
width of the sensor	25 mm
Ambient conditions	
ambient temperature during operation	-25 ... +70 °C
number of NC contacts for auxiliary contacts	0
number of NO contacts for auxiliary contacts	0
Enclosure	
design of the housing	block
material of the enclosure	plastic
Display	
evaluation unit required	yes
Contact	
switching frequency	5 Hz
Installation/ mounting/ dimensions	
fastening method	screw fixing
Inputs/ Outputs	
type of switching output	Reed contacts
Safety related data	
Safety Integrity Level (SIL) according to IEC 61508	3
performance level (PL) according to EN ISO 13849-1	e
category according to EN 954-1	4
Certificates/ approvals	
General Product Approval	EMV



[Confirmation](#)



other

Dangerous Good

[Confirmation](#)

[Transport Information](#)

Further information

Siemens has decided to exit the Russian market (see here).

<https://press.siemens.com/global/en/pressrelease/siemens-wind-down-russian-business>

Siemens is working on the renewal of the current EAC certificates.

Please contact your local Siemens office on the status of validity of the EAC certification if you intend to import or offer to supply these products to an EAC relevant market (other than the sanctioned EAEU member states Russia or Belarus).

Information on the packaging

<https://support.industry.siemens.com/cs/ww/en/view/109813875>

Information- and Downloadcenter (Catalogs, Brochures,...)

<https://www.siemens.com/ic10>

Industry Mall (Online ordering system)

<https://mall.industry.siemens.com/mall/en/en/Catalog/product?mlfb=3SE6704-3BA>

Cax online generator

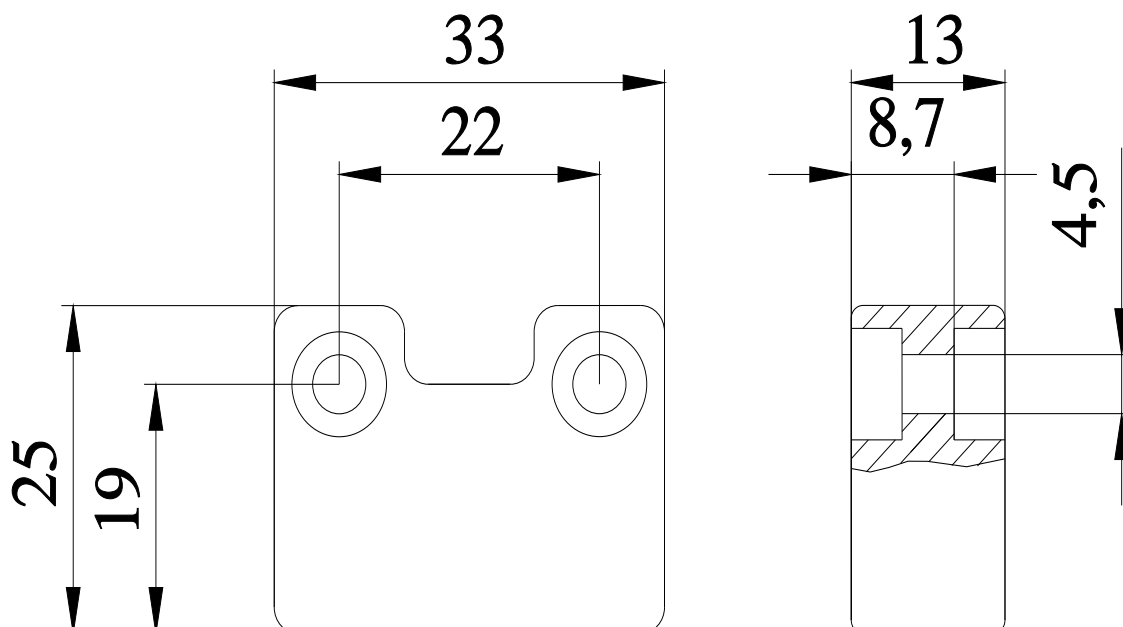
<http://support.automation.siemens.com/WW/CAXorder/default.aspx?lang=en&mlfb=3SE6704-3BA>

Service&Support (Manuals, Certificates, Characteristics, FAQs,...)

<https://support.industry.siemens.com/cs/ww/en/ps/3SE6704-3BA>

Image database (product images, 2D dimension drawings, 3D models, device circuit diagrams, EPLAN macros, ...)

http://www.automation.siemens.com/bilddb/cax_de.aspx?mlfb=3SE6704-3BA&lang=en



last modified:

12/23/2020

