



Magnet switch Switching element, rectangular small 26 x 36 mm, for door hinge on the right, Contact elements: Safety contacts 2 NC Signaling contact 1 NC with 3 m connecting cable without LED, the matching solenoid 3SE6714-3CA or offset by 90° 3SE6724-3CA

product brand name	SIRIUS
product designation	Magnetically operated switch
design of the product	Rectangular sensor unit
product type designation	3SE66
suitability for use safety-related circuits	Yes
General technical data	
product function	
• positive opening	No
• control function for downstream devices	No
• cross-circuit/short-circuit recognition	Yes
type of voltage of the operating voltage	DC
protection class IP	IP67
shock resistance according to IEC 60068-2-27	Sinusoidal half-wave 30g / 11 ms
vibration resistance according to IEC 60068-2-6	10 ... 55 Hz: 1 mm
reference code according to IEC 81346-2	S
Substance Prohibitance (Date)	07/01/2006
height of the sensor	36 mm
length of the sensor	13 mm
width of the sensor	26 mm
material of the active sensor area	Plastic, glass-fiber reinforced thermoplastic
Ambient conditions	
ambient temperature during operation	-25 ... +70 °C
Control circuit/ Control	
type of voltage	DC
operating voltage rated value	75 V
operational current rated value	400 mA
operating power rated value	10 W
number of NC contacts for auxiliary contacts	3
number of NC contacts safety-related	2
number of NO contacts for auxiliary contacts	0
number of NO contacts safety-related	0
Enclosure	
material of the enclosure	Plastic, glass-fiber reinforced thermoplastic
opening direction of the door	right
material of cable sheath	PVC
Actuator	
design of the actuating element	magnet
Display	
evaluation unit required	yes
Contact	

switching frequency	5 Hz
assured operating distance OFF	15 mm
assured operating distance ON	5 mm
design of the switching function	NC contact
number of switching contacts for signaling function	1
• safety-related	0

Installation/ mounting/ dimensions

fastening method	screw fixing
------------------	--------------

Connections/ Terminals

type of electrical connection	cable
wire length	3 m

Inputs/ Outputs

number of semiconductor outputs	
• for signaling function	0
• safety-related	0
number of outputs as contact-affected switching element	
• as NC contact	
— for signaling function instantaneous contact	1
— safety-related instantaneous contact	2
• as NO contact safety-related instantaneous contact	0

Safety related data

B10 value with high demand rate according to SN 31920	12 500 000
Safety Integrity Level (SIL) according to IEC 61508	3
performance level (PL) according to EN ISO 13849-1	e
proportion of dangerous failures	
• with low demand rate according to SN 31920	50 %
• with high demand rate according to SN 31920	50 %
T1 value for proof test interval or service life according to IEC 61508	20 a

Certificates/ approvals

General Product Approval	EMV	Functional Safety	Declaration of Conformity
--------------------------	-----	-------------------	---------------------------

[Confirmation](#)



[Miscellaneous](#)



Declaration of Conformity	other
---------------------------	-------



EG-Konf.

[Confirmation](#)

Further information

Siemens has decided to exit the Russian market (see here).

<https://press.siemens.com/global/en/pressrelease/siemens-wind-down-russian-business>

Siemens is working on the renewal of the current EAC certificates.

Please contact your local Siemens office on the status of validity of the EAC certification if you intend to import or offer to supply these products to an EAC relevant market (other than the sanctioned EAEU member states Russia or Belarus).

Information on the packaging

<https://support.industry.siemens.com/cs/ww/en/view/109813875>

Information- and Downloadcenter (Catalogs, Brochures,...)

<https://www.siemens.com/ic10>

Industry Mall (Online ordering system)

<https://mall.industry.siemens.com/mall/en/en/Catalog/product?mlfb=3SE6627-3CA04>

Cax online generator

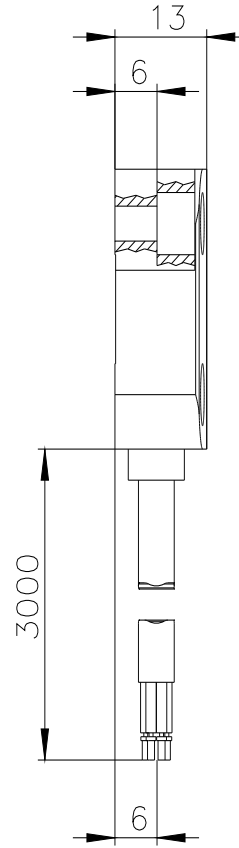
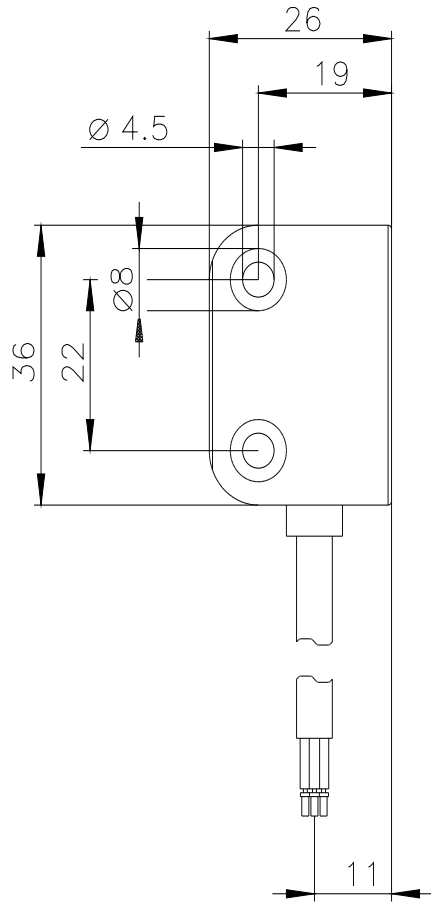
<http://support.automation.siemens.com/WW/CAXorder/default.aspx?lang=en&mlfb=3SE6627-3CA04>

Service&Support (Manuals, Certificates, Characteristics, FAQs,...)

<https://support.industry.siemens.com/cs/ww/en/ps/3SE6627-3CA04>

Image database (product images, 2D dimension drawings, 3D models, device circuit diagrams, EPLAN macros, ...)

http://www.automation.siemens.com/bilddb/cax_de.aspx?mlfb=3SE6627-3CA04&lang=en



GN = Green	→	21
YE = Yellow	→	22
GY = Grey	→	11
PK = Pink	→	12
WH = White	→	31
BN = Brown	→	32

