



Compact switch with connection cable 2 m, Snap-action contacts 1 NO+1 NC twist lever with same design as 3SE3 (Precursor program)

product brand name	SIRIUS
product designation	Mechanical position switches
product type designation	3SE5
suitability for use safety switch	Yes
General technical data	
product function positive opening	Yes
insulation voltage rated value	400 V
degree of pollution	3
surge voltage resistance rated value	4 kV
protection class IP	IP67
shock resistance	
• according to IEC 60068-2-27	30g / 11 ms
vibration resistance according to IEC 60068-2-6	0.35 mm/5g
mechanical service life (operating cycles) typical	5 000 000
electrical endurance (operating cycles) at AC-15 at 230 V typical	100 000
thermal current	10 A
material of the enclosure of the switch head	metal
reference code according to IEC 81346-2	B
active principle	mechanical
repeat accuracy	0.05 mm
Substance Prohibitance (Date)	07/01/2006
minimum actuating torque in directions of actuation	0.2 N·m
length of the sensor	95 mm
width of the sensor	30 mm
Ambient conditions	
ambient temperature	
• during operation	-25 ... +85 °C
• during storage	-25 ... +85 °C
explosion protection category for dust	none
design of the switching contact	mechanical
operating frequency rated value	50 ... 60 Hz
number of NC contacts for auxiliary contacts	1
number of NO contacts for auxiliary contacts	1
operational current at AC-15	
• at 125 V rated value	6 A
• at 230 V rated value	3 A
operational current at DC-13	
• at 125 V rated value	0.55 A
• at 230 V rated value	0.27 A

Enclosure	
design of the housing	block
material of the enclosure	metal
coating of the enclosure	painted
design of the housing according to standard	No
material of cable sheath	PVC
Drive Head	
design of the actuating element	twist lever
shape of the switch head	lever
design of the switching function	positive opening
circuit principle	snap-action contacts
number of switching contacts safety-related	1
Installation/ mounting/ dimensions	
mounting position	any
fastening method	screw fixing
Connections/ Terminals	
type of electrical connection	cable, 5 x 0.75mm ²
design of the interface for safety-related communication	without
Communication/ Protocol	
design of the interface	without
Certificates/ approvals	
General Product Approval	Declaration of Conformity

[Confirmation](#)



other

[Confirmation](#)

Further information

Siemens has decided to exit the Russian market (see here).

<https://press.siemens.com/global/en/pressrelease/siemens-wind-down-russian-business>

Siemens is working on the renewal of the current EAC certificates.

Please contact your local Siemens office on the status of validity of the EAC certification if you intend to import or offer to supply these products to an EAC relevant market (other than the sanctioned EAEU member states Russia or Belarus).

Information on the packaging

<https://support.industry.siemens.com/cs/ww/en/view/109813875>

Information- and Downloadcenter (Catalogs, Brochures,...)

<https://www.siemens.com/ic10>

Industry Mall (Online ordering system)

<https://mall.industry.siemens.com/mall/en/en/Catalog/product?mlfb=3SE5413-0CP20-1EA2>

Cax online generator

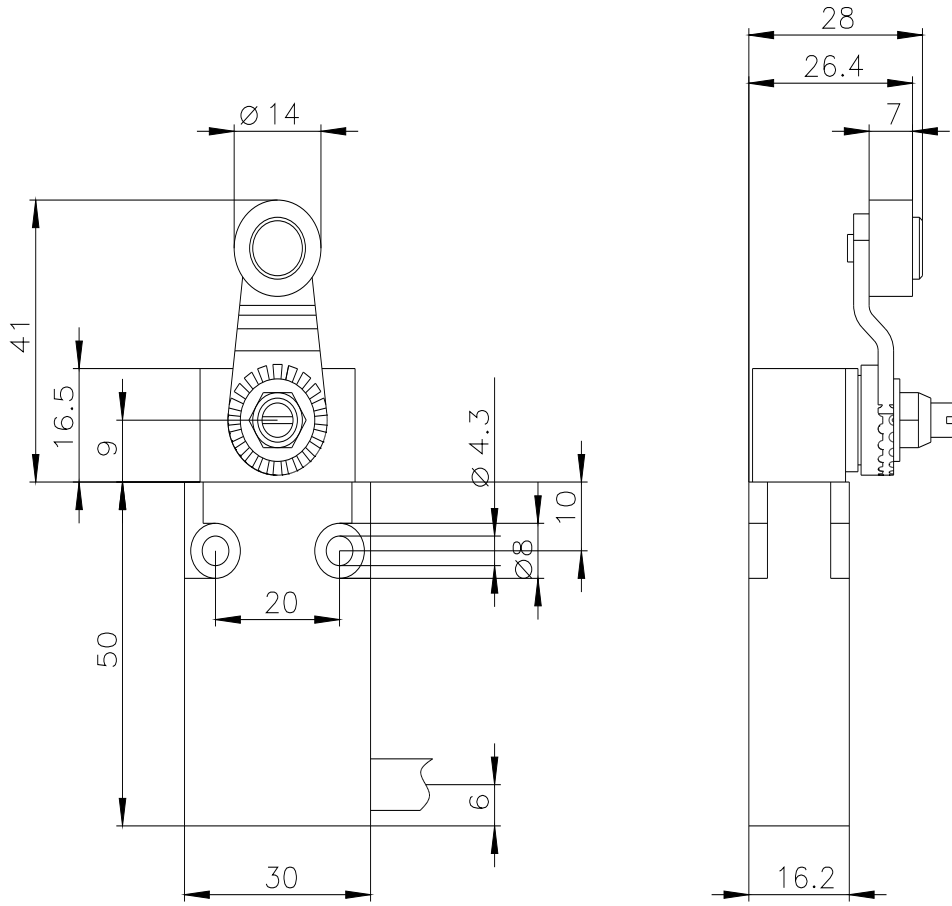
<http://support.automation.siemens.com/WW/CAXorder/default.aspx?lang=en&mlfb=3SE5413-0CP20-1EA2>

Service&Support (Manuals, Certificates, Characteristics, FAQs,...)

<https://support.industry.siemens.com/cs/ww/en/ps/3SE5413-0CP20-1EA2>

Image database (product images, 2D dimension drawings, 3D models, device circuit diagrams, EPLAN macros, ...)

http://www.automation.siemens.com/bilddb/cax_de.aspx?mlfb=3SE5413-0CP20-1EA2&lang=en



last modified:

11/24/2023