



LED cover for position switch for plastic enclosure 50 mm LEDs, yellow/green, 110-230 V AC Color yellow

<b>product designation</b>	cover with LEDs 230 V AC, for 50 mm wide enclosures, plastic, turquoise
<b>General technical data</b>	
<b>protection class IP</b>	IP66/IP67
<b>shock resistance</b>	
• according to IEC 60068-2-27	30g / 11 ms
<b>vibration resistance</b>	
• according to IEC 60068-2-6	0.35 mm/5g
<b>Substance Prohibittance (Date)</b>	07/01/2006
<b>length of the sensor</b>	53 mm
<b>width of the sensor</b>	50 mm
<b>Ambient conditions</b>	
<b>ambient temperature</b>	
• during operation	-25 ... +60 °C
• during storage	-40 ... +90 °C
<b>explosion protection category for dust</b>	none
<b>Enclosure</b>	
<b>design of the housing</b>	block, wide
<b>coating of the enclosure</b>	Other types
<b>Drive Head</b>	
<b>design of the actuating element</b>	without
<b>Installation/ mounting/ dimensions</b>	
<b>mounting position</b>	any
<b>fastening method</b>	screw fixing
<b>Supply voltage</b>	
<b>type of voltage of the supply voltage of the optional LED display</b>	AC
<b>supply voltage</b>	
• of LED	230 V
<b>design of the interface for safety-related communication</b>	without
<b>Communication/ Protocol</b>	
<b>design of the interface</b>	without
<b>Certificates/ approvals</b>	
<b>General Product Approval</b>	



[Confirmation](#)



General Product Approval

Test Certificates

other



#### Further information

Siemens has decided to exit the Russian market (see here).

<https://press.siemens.com/global/en/pressrelease/siemens-wind-down-russian-business>

Siemens is working on the renewal of the current EAC certificates.

Please contact your local Siemens office on the status of validity of the EAC certification if you intend to import or offer to supply these products to an EAC relevant market (other than the sanctioned EAEU member states Russia or Belarus).

Information on the packaging

<https://support.industry.siemens.com/cs/ww/en/view/109813875>

Information- and Downloadcenter (Catalogs, Brochures,...)

<https://www.siemens.com/ic10>

Industry Mall (Online ordering system)

<https://mall.industry.siemens.com/mall/en/en/Catalog/product?mlfb=3SE5240-3AA00>

Cax online generator

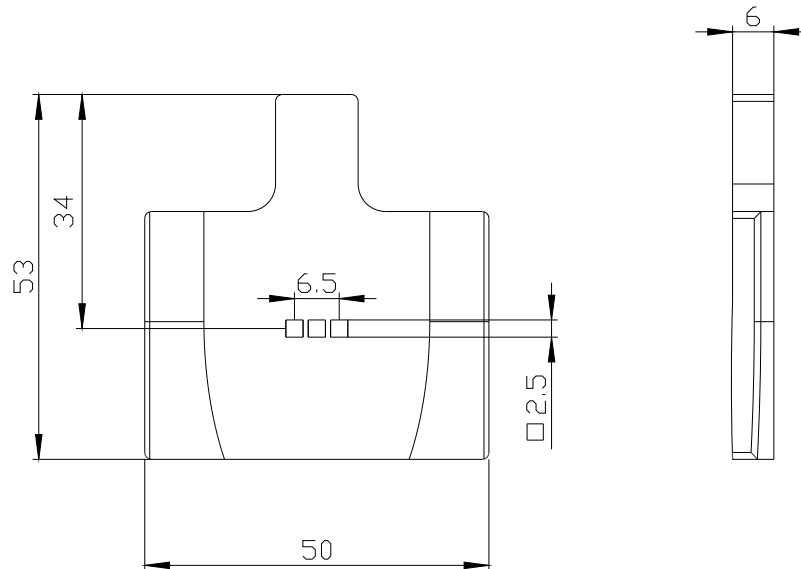
<http://support.automation.siemens.com/WW/CAXorder/default.aspx?lang=en&mlfb=3SE5240-3AA00>

Service&Support (Manuals, Certificates, Characteristics, FAQs,...)

<https://support.industry.siemens.com/cs/ww/en/ps/3SE5240-3AA00>

Image database (product images, 2D dimension drawings, 3D models, device circuit diagrams, EPLAN macros, ...)

[http://www.automation.siemens.com/bilddb/cax\\_de.aspx?mlfb=3SE5240-3AA00&lang=en](http://www.automation.siemens.com/bilddb/cax_de.aspx?mlfb=3SE5240-3AA00&lang=en)



last modified:

7/14/2021