



LED cover yellow for position switch 3SE5132 Plastic enclosure according to EN 50041, with 2 LEDs, yellow/green, 230 V AC

product designation	Cover (plastic) for housing EN50041+LED 230 V AC, yellow
General technical data	
degree of pollution	class 3
protection class IP	IP66/IP67
shock resistance	
• according to IEC 60068-2-27	30g / 11 ms
vibration resistance according to IEC 60068-2-6	0.35 mm/5g
Substance Prohibitance (Date)	07/01/2006
length of the sensor	78 mm
width of the sensor	40 mm
Ambient conditions	
ambient temperature	
• during operation	-25 ... +60 °C
• during storage	-40 ... +90 °C
explosion protection category for dust	none
Enclosure	
design of the housing	block, narrow
coating of the enclosure	Other types
Drive Head	
design of the actuating element	Other, without, cover
Installation/ mounting/ dimensions	
mounting position	any
fastening method	screw fixing
Supply voltage	
type of voltage of the supply voltage of the optional LED display	AC
supply voltage	
• of LED	230 V
design of the interface for safety-related communication	without
Communication/ Protocol	
design of the interface	without
Certificates/ approvals	
General Product Approval	Functional Safety/Safety of Machinery



Confirmation



Type Examination Certificate

[Confirmation](#)**Further information**

Siemens has decided to exit the Russian market (see here).

<https://press.siemens.com/global/en/pressrelease/siemens-wind-down-russian-business>

Siemens is working on the renewal of the current EAC certificates.

Please contact your local Siemens office on the status of validity of the EAC certification if you intend to import or offer to supply these products to an EAC relevant market (other than the sanctioned EAEU member states Russia or Belarus).

Information on the packaging

<https://support.industry.siemens.com/cs/ww/en/view/109813875>

Information- and Downloadcenter (Catalogs, Brochures,...)

<https://www.siemens.com/ic10>

Industry Mall (Online ordering system)

<https://mall.industry.siemens.com/mall/en/en/Catalog/product?mlfb=3SE5130-3AA00-1AG0>

Cax online generator

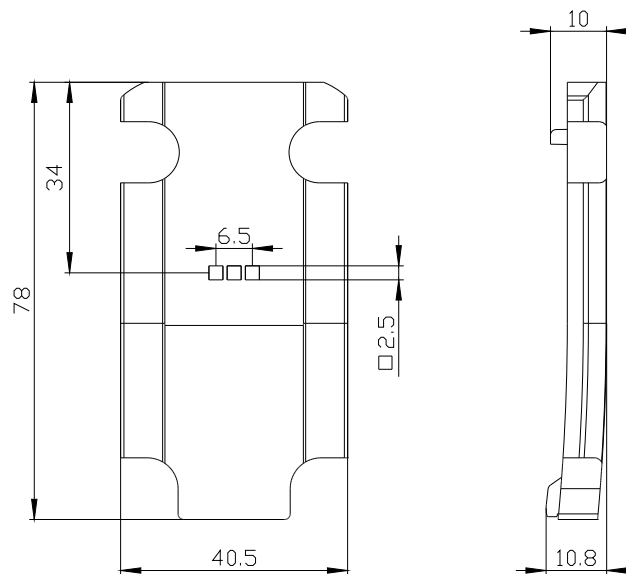
<http://support.automation.siemens.com/WW/CAXorder/default.aspx?lang=en&mlfb=3SE5130-3AA00-1AG0>

Service&Support (Manuals, Certificates, Characteristics, FAQs,...)

<https://support.industry.siemens.com/cs/ww/en/ps/3SE5130-3AA00-1AG0>

Image database (product images, 2D dimension drawings, 3D models, device circuit diagrams, EPLAN macros, ...)

http://www.automation.siemens.com/bilddb/cax_de.aspx?mlfb=3SE5130-3AA00-1AG0&lang=en



last modified:

12/21/2020