



Safety position switch with separate actuator Metal enclosure, 56 mm Device connection 3x (M20x 1.5) Slow-action contacts 1 NO/2 NC with 2 LEDs, 230 V AC yellow/green 5 directions of approaches The matching separate actuator 3SE5000-0AV0. must be ordered separately

| | |
|--|---|
| product brand name | SIRIUS |
| product designation | Mechanical safety switches |
| product type designation | 3SE5 |
| manufacturer's article number | 3SE5000-0AV01 standard actuator, 3SE5000-0AV02 actuator with vertical mounting, 3SE5000-0AV03 actuator with horizontal mounting, 3SE5000-0AV04 radius actuator left, 3SE5000-0AV05 universal actuator, 3SE5000-0AV06 radius actuator right, 3SE5000-0AV07 heavy-duty actuator, 3SE5000-0AW11 plastic actuator, 3SE5000-0AW21 stainless steel actuator |
| <ul style="list-style-type: none"> of the optional actuators | |
| suitability for use safety switch | Yes |
| General technical data | |
| product function positive opening | Yes |
| insulation voltage rated value | 400 V |
| degree of pollution | class 3 |
| surge voltage resistance rated value | 4 kV |
| protection class IP | IP66/IP67 |
| shock resistance | 30g / 11 ms |
| <ul style="list-style-type: none"> according to IEC 60068-2-27 | |
| vibration resistance according to IEC 60068-2-6 | 0.35 mm/5g |
| mechanical service life (operating cycles) typical | 1 000 000 |
| electrical endurance (operating cycles) at AC-15 at 230 V typical | 100 000 |
| thermal current | 10 A |
| material of the enclosure of the switch head | metal |
| reference code according to IEC 81346-2 | B |
| continuous current of the C characteristic MCB | 1 A; for a short-circuit current smaller than 400 A |
| continuous current of the quick DIAZED fuse link | 10 A; for a short-circuit current smaller than 400 A |
| continuous current of the DIAZED fuse link gG | 6 A; for a short-circuit current smaller than 400 A |
| active principle | mechanical |
| repeat accuracy | 0.05 mm |
| Substance Prohibition (Date) | 07/01/2006 |
| SVHC substance name | Imidazolidin-2-thion - 96-45-7 |
| minimum actuating force in directions of actuation | 20 N |
| length of the sensor | 110 mm |
| width of the sensor | 56 mm |
| Ambient conditions | |
| ambient temperature | -25 ... +60 °C |
| <ul style="list-style-type: none"> during operation during storage | |
| explosion protection category for dust | none |
| design of the switching contact | mechanical |
| operating frequency rated value | 50 ... 60 Hz |

| | |
|--|-----|
| number of NC contacts for auxiliary contacts | 2 |
| number of NO contacts for auxiliary contacts | 1 |
| operational current at AC-15 | |
| • at 230 V rated value | 4 A |

| | |
|---|----------------------|
| Enclosure | |
| design of the housing | block, wide |
| material of the enclosure | metal |
| coating of the enclosure | cathodic dip coating |
| design of the housing according to standard | No |

| | |
|---|----------------------|
| Drive Head | |
| design of the actuating element | without |
| design of the switching function | positive opening |
| circuit principle | slow-action contacts |
| number of switching contacts safety-related | 2 |
| cable entry type | 3x (M20 x 1.5) |

| | |
|---|--------------|
| Installation/ mounting/ dimensions | |
| mounting position | any |
| fastening method | screw fixing |

| | |
|--|---|
| Connections/ Terminals | |
| type of electrical connection | screw-type terminals |
| type of connectable conductor cross-sections | |
| • solid | 1x (0.5 ... 1.5 mm ²), 2x (0.5 ... 0.75 mm ²) |
| • finely stranded with core end processing | 1x (0.5 ... 1.5 mm ²), 2x (0.5 ... 0.75 mm ²) |
| • for AWG cables solid | 1x (20 ... 16), 2x (20 ... 18) |
| • for AWG cables stranded | 1x (20 ... 16), 2x (20 ... 18) |

| | |
|---|---------|
| Supply voltage | |
| type of voltage of the supply voltage of the optional LED display | AC |
| supply voltage | |
| • of LED | 230 V |
| design of the interface for safety-related communication | without |

| | |
|--------------------------------|---------|
| Communication/ Protocol | |
| design of the interface | without |

| | |
|--|-----------|
| Safety related data | |
| B10 value with high demand rate according to SN 31920 | 1 000 000 |
| proportion of dangerous failures with high demand rate according to SN 31920 | 20 % |

| | |
|--------------------------------|--|
| Certificates/ approvals | |
| General Product Approval | |



[Confirmation](#)



| | |
|--------------------------|-------|
| General Product Approval | other |
|--------------------------|-------|



[Confirmation](#)

Further information

Siemens has decided to exit the Russian market (see here).
<https://press.siemens.com/global/en/pressrelease/siemens-wind-down-russian-business>

Siemens is working on the renewal of the current EAC certificates.

Please contact your local Siemens office on the status of validity of the EAC certification if you intend to import or offer to supply these products to an EAC relevant market (other than the sanctioned EAEU member states Russia or Belarus).

Information on the packaging

<https://support.industry.siemens.com/cs/ww/en/view/109813875>

Information- and Downloadcenter (Catalogs, Brochures,...)

<https://www.siemens.com/ic10>

Industry Mall (Online ordering system)

<https://mall.industry.siemens.com/mall/en/en/Catalog/product?mlfb=3SE5122-3QV10>

Cax online generator

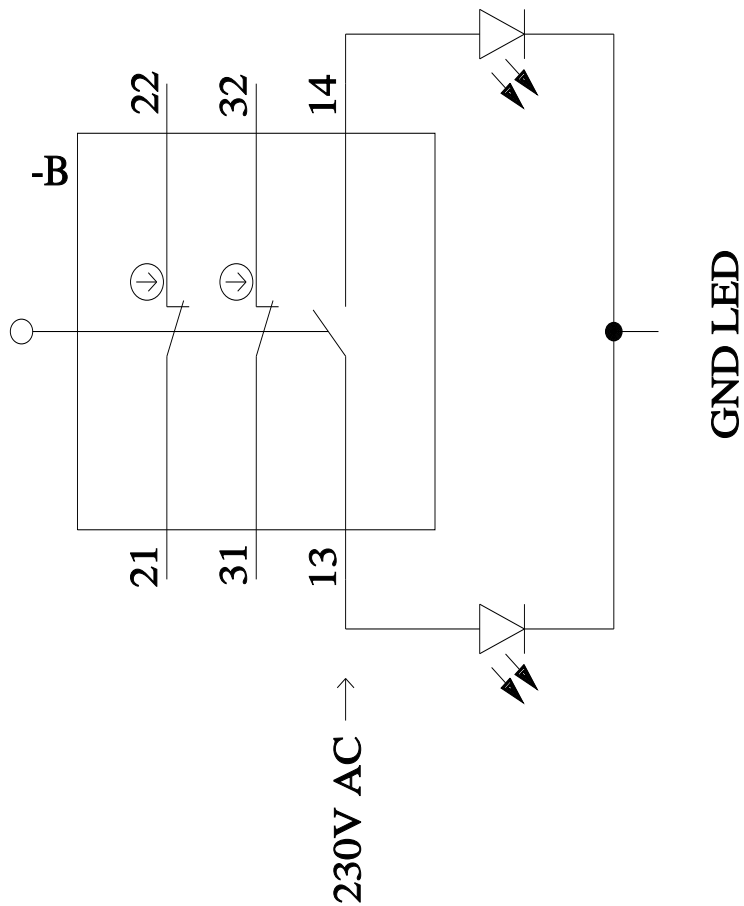
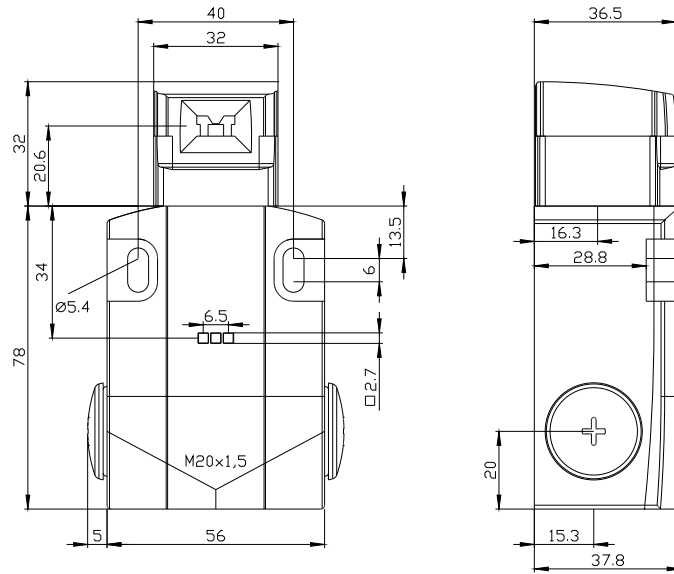
<http://support.automation.siemens.com/WW/CAXorder/default.aspx?lang=en&mlfb=3SE5122-3QV10>

Service&Support (Manuals, Certificates, Characteristics, FAQs,...)

<https://support.industry.siemens.com/cs/ww/en/ps/3SE5122-3QV10>

Image database (product images, 2D dimension drawings, 3D models, device circuit diagrams, EPLAN macros, ...)

http://www.automation.siemens.com/bilddb/cax_de.aspx?mlfb=3SE5122-3QV10&lang=en



last modified:

9/5/2023