



basic switch for position switch 3SE51 metal enclosure 40 mm according to DIN EN 50041 with plug 6+PE (3SY3131) acc. to EN 43651, 1 NO/1 NC quick action contacts Pin assignment: Pin1=21, Pin2=22 Pin3=13, Pin4=14 Pin5 and Pin6 not connected PE connected with quick change device 3SY3110 + 3SY3027

product brand name	SIRIUS
product designation	Mechanical safety switches
product type designation	3SE5
manufacturer's article number	
• of the supplied switching contacts	3SE5000-0CA00
suitability for use safety switch	Yes
General technical data	
product function positive opening	Yes
insulation voltage rated value	250 V
degree of pollution	class 3
surge voltage resistance rated value	2.5 kV
protection class IP	IP65
shock resistance	
• according to IEC 60068-2-27	30g / 11 ms
vibration resistance according to IEC 60068-2-6	0.35 mm/5g
mechanical service life (operating cycles) typical	15 000 000
electrical endurance (operating cycles) at AC-15 at 230 V typical	100 000
thermal current	10 A
reference code according to IEC 81346-2	B
continuous current of the C characteristic MCB	1 A; for a short-circuit current smaller than 400 A
continuous current of the quick DIAZED fuse link	10 A; for a short-circuit current smaller than 400 A
continuous current of the DIAZED fuse link gG	6 A
active principle	mechanical
repeat accuracy	0.05 mm
Substance Prohibitance (Date)	07/01/2006
SVHC substance name	Imidazolidin-2-thion - 96-45-7
minimum actuating force in directions of actuation	20 N
length of the sensor	141.5 mm
width of the sensor	40 mm
Ambient conditions	
ambient temperature	
• during operation	-25 ... +85 °C
• during storage	-40 ... +90 °C
explosion protection category for dust	none
design of the switching contact	mechanical
operating frequency rated value	50 ... 60 Hz
number of NC contacts for auxiliary contacts	1
number of NO contacts for auxiliary contacts	1
operational current at AC-15	

<ul style="list-style-type: none"> • at 24 V rated value • at 125 V rated value • at 240 V rated value 	6 A
	6 A
	6 A
operational current at DC-13	
<ul style="list-style-type: none"> • at 24 V rated value • at 125 V rated value • at 250 V rated value 	3 A
	0.55 A
	0.27 A
Enclosure	
design of the housing	block, narrow
material of the enclosure	metal
coating of the enclosure	cathodic dip coating
design of the housing according to standard	Yes
Drive Head	
design of the actuating element	Other, without, basic switch with plug
design of the switching function	Positive opening with appropriate positive opening actuator head
circuit principle	snap-action contacts
number of switching contacts safety-related	1
cable entry type	plug, 6-pole + PU, according to EN 43651
design of plug-in connection	plug, 6-pole + PU: Pin 1 = terminal 21, Pin 2 = 22, Pin 3 = 13, Pin 4 = 14, Pin 5 = not assigned, Pin 6 = not assigned, PU connected
Installation/ mounting/ dimensions	
mounting position	any
fastening method	screw fixing
Connections/ Terminals	
type of electrical connection	plug, 6-pole + PU, according to EN 43651
design of the interface for safety-related communication	without
Communication/ Protocol	
design of the interface	without
Certificates/ approvals	
General Product Approval	



EG-Konf.



CCC

[Confirmation](#)



UL

General Product Approval	Test Certificates	other
--------------------------	-------------------	-------



[Type Test Certificates/Test Report](#)

[Confirmation](#)

Further information

Siemens has decided to exit the Russian market (see here).

<https://press.siemens.com/global/en/pressrelease/siemens-wind-down-russian-business>

Siemens is working on the renewal of the current EAC certificates.

Please contact your local Siemens office on the status of validity of the EAC certification if you intend to import or offer to supply these products to an EAC relevant market (other than the sanctioned EAEU member states Russia or Belarus).

Information on the packaging

<https://support.industry.siemens.com/cs/ww/en/view/109813875>

Information- and Downloadcenter (Catalogs, Brochures,...)

<https://www.siemens.com/ic10>

Industry Mall (Online ordering system)

<https://mall.industry.siemens.com/mall/en/en/Catalog/product?mlfb=3SE5115-0CA00-1AD0>

Cax online generator

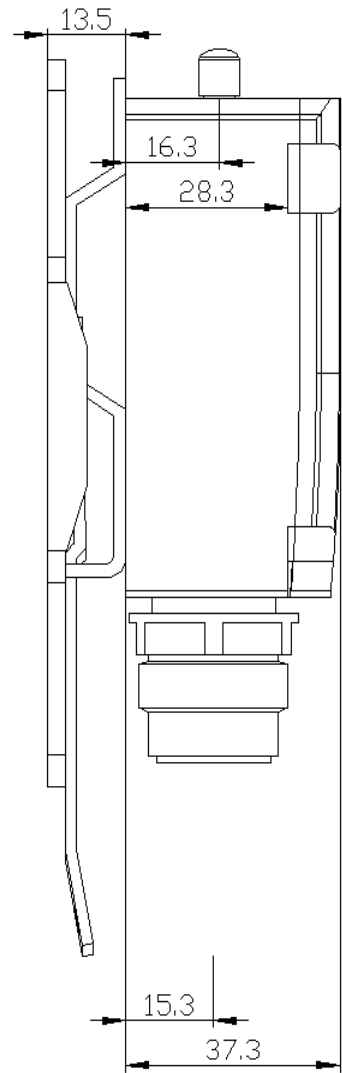
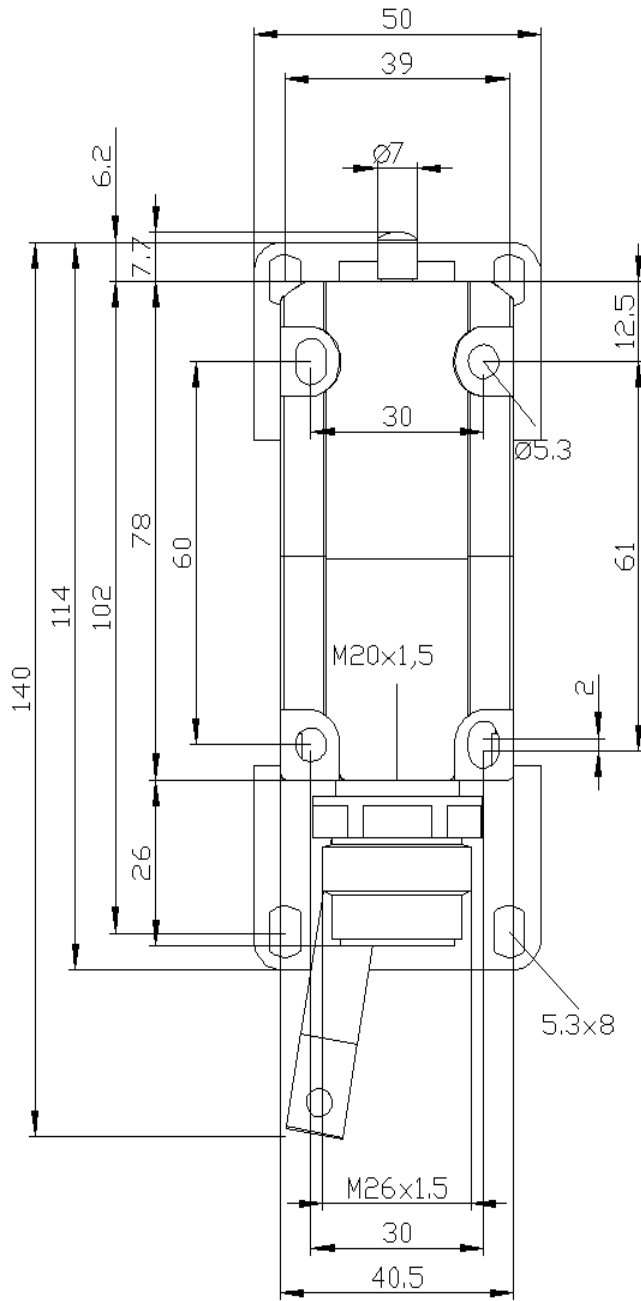
<http://support.automation.siemens.com/WWW/CAXorder/default.aspx?lang=en&mlfb=3SE5115-0CA00-1AD0>

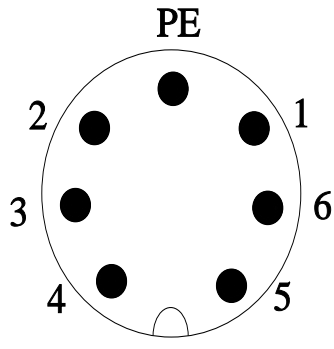
Service&Support (Manuals, Certificates, Characteristics, FAQs,...)

<https://support.industry.siemens.com/cs/ww/en/ps/3SE5115-0CA00-1AD0>

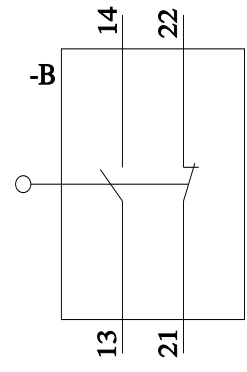
Image database (product images, 2D dimension drawings, 3D models, device circuit diagrams, EPLAN macros, ...)

http://www.automation.siemens.com/bilddb/cax_de.aspx?mlfb=3SE5115-0CA00-1AD0&lang=en





1	Black-1	→	21
2	Black-2	→	22
3	Black-3	→	13
4	Black-4	→	14
5	Black-5	→	n.c.
6	Black-6	→	n.c.
PE	Green/Yellow	→	⊕



last modified:

9/5/2023