



Standard actuator Plastic 40 mm long, for position switch with separate actuator 3SE51/3SE52 and AS-i 3SF11/3SF12

product brand name	SIRIUS	
product designation	actuator	
product type designation	3SE5	
General technical data		
shock resistance		
• according to IEC 60068-2-27	30g / 11 ms	
vibration resistance		
• according to IEC 60068-2-6	0.35 mm/5g	
mechanical service life (operating cycles) typical	1 000 000	
reference code according to IEC 81346-2	T	
active principle	mechanical	
Substance Prohibitation (Date)	07/01/2006	
Ambient conditions		
ambient temperature		
• during operation	-25 ... +85 °C	
• during storage	-40 ... +90 °C	
Drive Head		
design of the actuating element	Standard actuator, plastic	
Installation/ mounting/ dimensions		
mounting position	any	
fastening method	screw fixing	
Certificates/ approvals		
General Product Approval	Functional Safety/Safety of Machinery	Declaration of Conformity



[Confirmation](#)



[Type Examination Certificate](#)



EG-Konf.

Declaration of Conformity	other
---------------------------	-------



[Confirmation](#)

Further information

Siemens has decided to exit the Russian market (see here).

<https://press.siemens.com/global/en/pressrelease/siemens-wind-down-russian-business>

Siemens is working on the renewal of the current EAC certificates.

Please contact your local Siemens office on the status of validity of the EAC certification if you intend to import or offer to supply these products to an EAC relevant market (other than the sanctioned EAEU member states Russia or Belarus).

Information on the packaging

<https://support.industry.siemens.com/cs/ww/en/view/109813875>

Information- and Downloadcenter (Catalogs, Brochures,...)

<https://www.siemens.com/ic10>

Industry Mall (Online ordering system)

<https://mall.industry.siemens.com/mall/en/en/Catalog/product?mlfb=3SE5000-0AW11>

Cax online generator

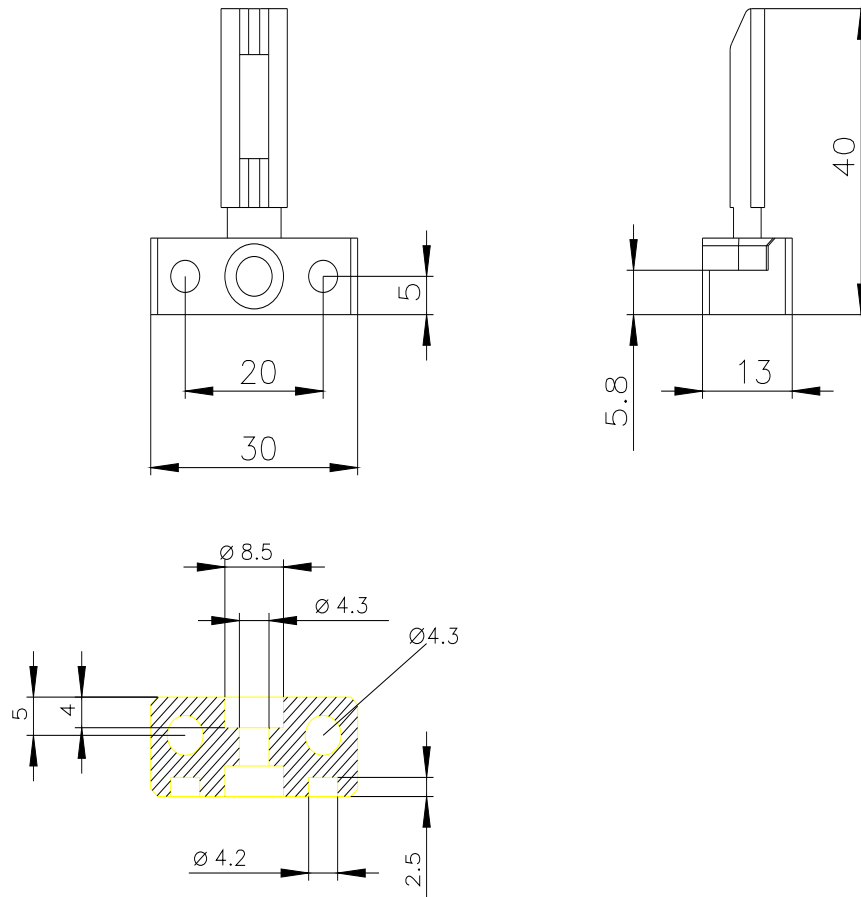
<http://support.automation.siemens.com/WW/CAXorder/default.aspx?lang=en&mlfb=3SE5000-0AW11>

Service&Support (Manuals, Certificates, Characteristics, FAQs,...)

<https://support.industry.siemens.com/cs/ww/en/ps/3SE5000-0AW11>

Image database (product images, 2D dimension drawings, 3D models, device circuit diagrams, EPLAN macros, ...)

http://www.automation.siemens.com/bilddb/cax_de.aspx?mlfb=3SE5000-0AW11&lang=en



last modified:

12/21/2020 