



Separate actuator Universal radius actuator with actuator tab rotated by 90° for position switch with tumbler 3SE5312/3SE5322 and AS-i 3SF13 and position switch with separate actuator 3SE51/3SE52 and AS-i 3SF11/3SF12

| | |
|--|--------------------|
| product brand name | SIRIUS |
| product designation | actuator |
| product type designation | 3SE5 |
| General technical data | |
| shock resistance | |
| • according to IEC 60068-2-27 | 30g / 11 ms |
| vibration resistance | |
| • according to IEC 60068-2-6 | 0.35 mm/5g |
| mechanical service life (operating cycles) typical | 1 000 000 |
| reference code according to IEC 81346-2 | T |
| active principle | mechanical |
| Substance Prohibitance (Date) | 07/01/2006 |
| SVHC substance name | Blei - 7439-92-1 |
| Ambient conditions | |
| ambient temperature | |
| • during operation | -25 ... +85 °C |
| • during storage | -40 ... +90 °C |
| Drive Head | |
| design of the actuating element | universal actuator |
| Installation/ mounting/ dimensions | |
| mounting position | any |
| fastening method | screw fixing |
| Certificates/ approvals | |
| General Product Approval | |



[Confirmation](#)



| | |
|-------------------|-------|
| Test Certificates | other |
|-------------------|-------|

[Type Test Certificates/Test Report](#)

[Confirmation](#)

Further information

Siemens has decided to exit the Russian market (see here).
<https://press.siemens.com/global/en/pressrelease/siemens-wind-down-russian-business>

Siemens is working on the renewal of the current EAC certificates.

Please contact your local Siemens office on the status of validity of the EAC certification if you intend to import or offer to supply these products to an EAC relevant market (other than the sanctioned EAEU member states Russia or Belarus).

Information on the packaging

<https://support.industry.siemens.com/cs/ww/en/view/109813875>

Information- and Downloadcenter (Catalogs, Brochures,...)

<https://www.siemens.com/ic10>

Industry Mall (Online ordering system)

<https://mall.industry.siemens.com/mall/en/en/Catalog/product?mlfb=3SE5000-0AV05-1AA6>

Cax online generator

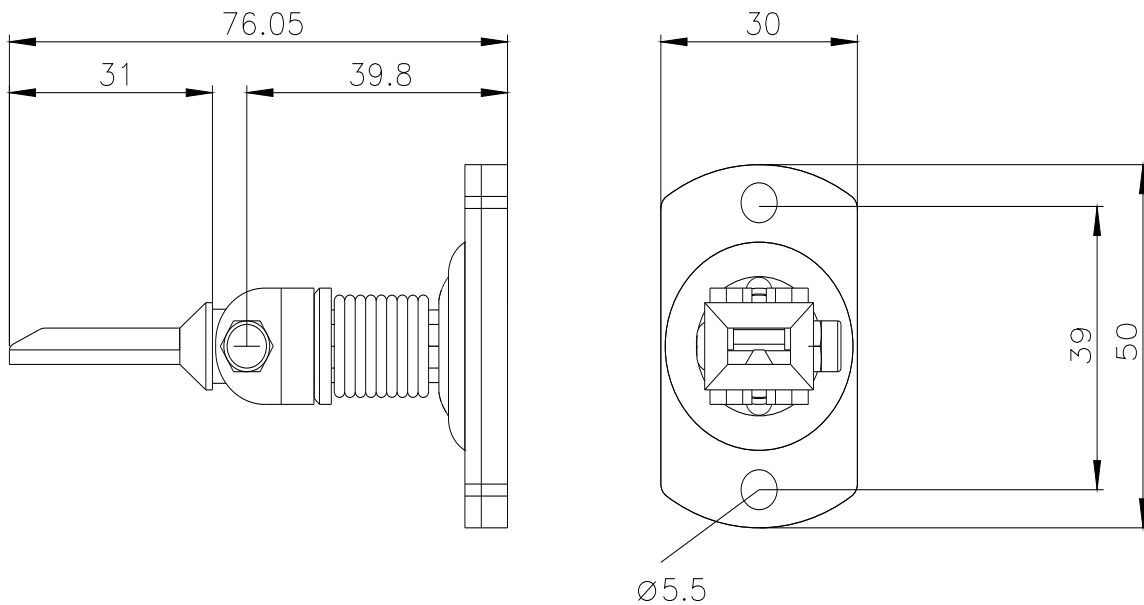
<http://support.automation.siemens.com/WW/CAXorder/default.aspx?lang=en&mlfb=3SE5000-0AV05-1AA6>

Service&Support (Manuals, Certificates, Characteristics, FAQs,...)

<https://support.industry.siemens.com/cs/ww/en/ps/3SE5000-0AV05-1AA6>

Image database (product images, 2D dimension drawings, 3D models, device circuit diagrams, EPLAN macros, ...)

http://www.automation.siemens.com/bilddb/cax_de.aspx?mlfb=3SE5000-0AV05-1AA6&lang=en



last modified:

9/5/2023 