



Separate actuator, radius actuator left for position switch with tumbler  
 3SE5312/3SE5322 and AS-i 3SF13 and position switch with separate actuator  
 3SE51/3SE52 and AS-i 3SF11/3SF12

product brand name	SIRIUS	
product designation	actuator	
product type designation	3SE5	
<b>General technical data</b>		
shock resistance		
• according to IEC 60068-2-27	30g / 11 ms	
vibration resistance		
• according to IEC 60068-2-6	0.35 mm/5g	
mechanical service life (operating cycles) typical	1 000 000	
reference code according to IEC 81346-2	T	
active principle	mechanical	
Substance Prohibittance (Date)	07/01/2006	
SVHC substance name	Blei - 7439-92-1	
<b>Ambient conditions</b>		
ambient temperature		
• during operation	-25 ... +85 °C	
• during storage	-40 ... +90 °C	
<b>Drive Head</b>		
design of the actuating element	radius actuator, left	
<b>Installation/ mounting/ dimensions</b>		
mounting position	any	
fastening method	screw fixing	
<b>Certificates/ approvals</b>		
General Product Approval	Functional Safety/Safety of Machinery	Declaration of Conformity



[Confirmation](#)



[Type Examination Certificate](#)



Declaration of Conformity	Test Certificates	other
---------------------------	-------------------	-------



[Type Test Certificates/Test Report](#)

[Confirmation](#)

## Further information

Siemens has decided to exit the Russian market (see here).

<https://press.siemens.com/global/en/pressrelease/siemens-wind-down-russian-business>

Siemens is working on the renewal of the current EAC certificates.

Please contact your local Siemens office on the status of validity of the EAC certification if you intend to import or offer to supply these products to an EAC relevant market (other than the sanctioned EAEU member states Russia or Belarus).

Information on the packaging

<https://support.industry.siemens.com/cs/ww/en/view/109813875>

Information- and Downloadcenter (Catalogs, Brochures,...)

<https://www.siemens.com/ic10>

Industry Mall (Online ordering system)

<https://mall.industry.siemens.com/mall/en/en/Catalog/product?mlfb=3SE5000-0AV04>

Cax online generator

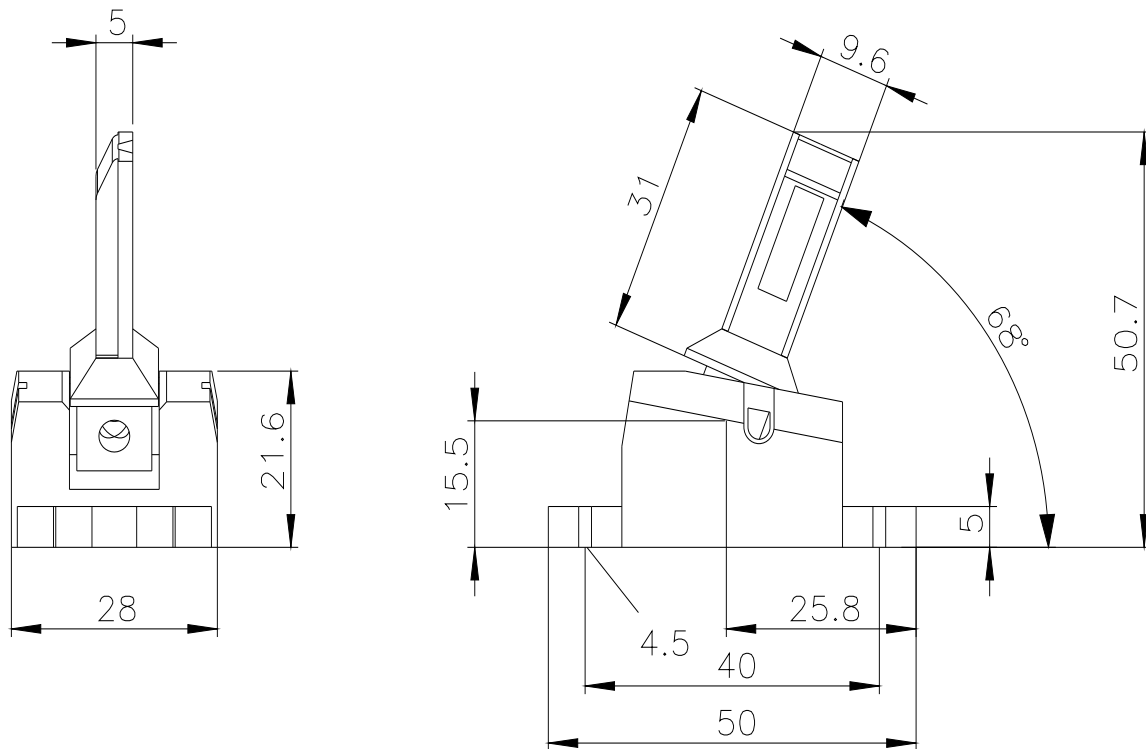
<http://support.automation.siemens.com/WW/CAXorder/default.aspx?lang=en&mlfb=3SE5000-0AV04>

Service&Support (Manuals, Certificates, Characteristics, FAQs,...)

<https://support.industry.siemens.com/cs/ww/en/ps/3SE5000-0AV04>

Image database (product images, 2D dimension drawings, 3D models, device circuit diagrams, EPLAN macros, ...)

[http://www.automation.siemens.com/bilddb/cax\\_de.aspx?mlfb=3SE5000-0AV04&lang=en](http://www.automation.siemens.com/bilddb/cax_de.aspx?mlfb=3SE5000-0AV04&lang=en)



last modified:

9/5/2023 