



Actuator head for position switch 3SE51/52 Roller plunger with Stainless steel roller 10 mm with central mounting

| | | |
|--|---|---------------------------|
| product brand name | SIRIUS | |
| product designation | actuator head for position switch | |
| product type designation | 3SE5 | |
| manufacturer's article number | | |
| • of the supplied actuator head for position switches | 3SE5000-0AD11 | |
| General technical data | | |
| product function positive opening | Yes | |
| shock resistance | | |
| • according to IEC 60068-2-27 | 30g / 11 ms | |
| vibration resistance | | |
| • according to IEC 60068-2-6 | 0.35 mm/5g | |
| mechanical service life (operating cycles) typical | 15 000 000 | |
| material of the enclosure of the switch head | plastic | |
| reference code according to IEC 81346-2 | T | |
| active principle | mechanical | |
| Substance Prohibitance (Date) | 07/01/2006 | |
| minimum actuating force in directions of actuation | 20 N | |
| Ambient conditions | | |
| ambient temperature | | |
| • during operation | -25 ... +85 °C | |
| • during storage | -40 ... +90 °C | |
| explosion protection category for dust | none | |
| Enclosure | | |
| coating of the enclosure | Other types | |
| Drive Head | | |
| design of the actuating element | Roller plunger, central fixing, high-grade steel roller | |
| shape of the switch head | roller | |
| outer diameter of the switch head | 10 mm | |
| Installation/ mounting/ dimensions | | |
| mounting position | any | |
| fastening method | lockable plug-in fixing | |
| design of the interface for safety-related communication | without | |
| Communication/ Protocol | | |
| design of the interface | without | |
| Certificates/ approvals | | |
| General Product Approval | Functional Safety/Safety of Machinery | Declaration of Conformity |



[Confirmation](#)



[Type Examination Certificate](#)



| | | |
|---------------------------|-------------------|-------|
| Declaration of Conformity | Test Certificates | other |
|---------------------------|-------------------|-------|



EG-Konf.

[Type Test Certificates/Test Report](#)

[Confirmation](#)

Further information

Siemens has decided to exit the Russian market (see here).

<https://press.siemens.com/global/en/pressrelease/siemens-wind-down-russian-business>

Siemens is working on the renewal of the current EAC certificates.

Please contact your local Siemens office on the status of validity of the EAC certification if you intend to import or offer to supply these products to an EAC relevant market (other than the sanctioned EAEU member states Russia or Belarus).

Information on the packaging

<https://support.industry.siemens.com/cs/ww/en/view/109813875>

Information- and Downloadcenter (Catalogs, Brochures,...)

<https://www.siemens.com/ic10>

Industry Mall (Online ordering system)

<https://mall.industry.siemens.com/mall/en/en/Catalog/product?mlfb=3SE5000-0AD11>

Cax online generator

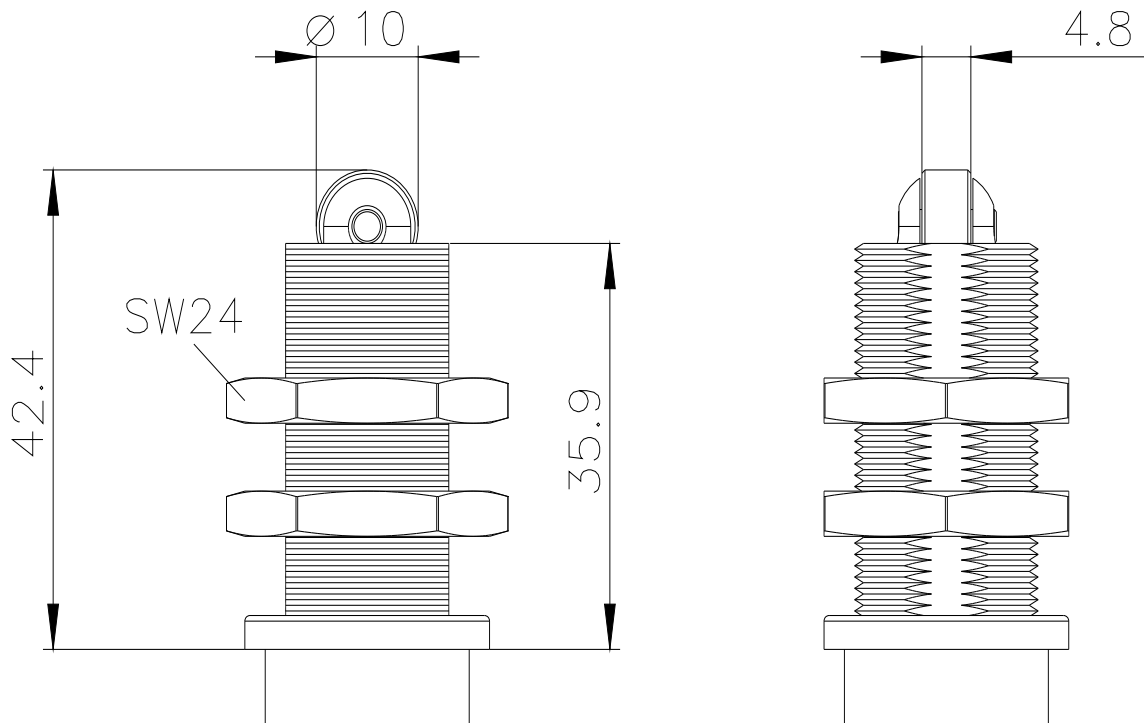
<http://support.automation.siemens.com/WW/CAXorder/default.aspx?lang=en&mlfb=3SE5000-0AD11>

Service&Support (Manuals, Certificates, Characteristics, FAQs,...)

<https://support.industry.siemens.com/cs/ww/en/ps/3SE5000-0AD11>

Image database (product images, 2D dimension drawings, 3D models, device circuit diagrams, EPLAN macros, ...)

http://www.automation.siemens.com/bilddb/cax_de.aspx?mlfb=3SE5000-0AD11&lang=en



last modified:

12/21/2020

