



Actuator head for position switch 3SE51/52 Roller plunger, Form C, with Plastic roller 10 mm according to EN 50047

product brand name	SIRIUS	
product designation	actuator head for position switch	
product type designation	3SE5	
manufacturer's article number		
<ul style="list-style-type: none"> <li>of the supplied actuator head for position switches</li> </ul>	<a href="#">3SE5000-0AD03</a>	
<b>General technical data</b>		
product function positive opening	Yes	
shock resistance		
<ul style="list-style-type: none"> <li>according to IEC 60068-2-27</li> </ul>	30g / 11 ms	
vibration resistance		
<ul style="list-style-type: none"> <li>according to IEC 60068-2-6</li> </ul>	0.35 mm/5g	
mechanical service life (operating cycles) typical	15 000 000	
material of the enclosure of the switch head	plastic	
reference code according to IEC 81346-2	T	
active principle	mechanical	
Substance Prohibition (Date)	07/01/2006	
minimum actuating force in directions of actuation	20 N	
<b>Ambient conditions</b>		
ambient temperature		
<ul style="list-style-type: none"> <li>during operation</li> <li>during storage</li> </ul>	-25 ... +85 °C -40 ... +90 °C	
explosion protection category for dust	none	
<b>Enclosure</b>		
coating of the enclosure	Other types	
<b>Drive Head</b>		
design of the actuating element	Roller plunger, plastic roller	
standard-compliant actuator head	EN 50047, design C	
shape of the switch head	roller	
outer diameter of the switch head	10 mm	
<b>Installation/ mounting/ dimensions</b>		
mounting position	any	
fastening method	lockable plug-in fixing	
design of the interface for safety-related communication	without	
<b>Communication/ Protocol</b>		
design of the interface	without	
<b>Certificates/ approvals</b>		
General Product Approval	Functional Safety/Safety of Machinery	Declaration of Conformity



[Confirmation](#)



[Type Examination Certificate](#)



Declaration of Conformity	Test Certificates	other
---------------------------	-------------------	-------



EG-Konf.

[Type Test Certificates/Test Report](#)

[Confirmation](#)

#### Further information

Siemens has decided to exit the Russian market (see here).

<https://press.siemens.com/global/en/pressrelease/siemens-wind-down-russian-business>

Siemens is working on the renewal of the current EAC certificates.

Please contact your local Siemens office on the status of validity of the EAC certification if you intend to import or offer to supply these products to an EAC relevant market (other than the sanctioned EAEU member states Russia or Belarus).

Information on the packaging

<https://support.industry.siemens.com/cs/ww/en/view/109813875>

Information- and Downloadcenter (Catalogs, Brochures,...)

<https://www.siemens.com/ic10>

Industry Mall (Online ordering system)

<https://mall.industry.siemens.com/mall/en/en/Catalog/product?mlfb=3SE5000-0AD03>

Cax online generator

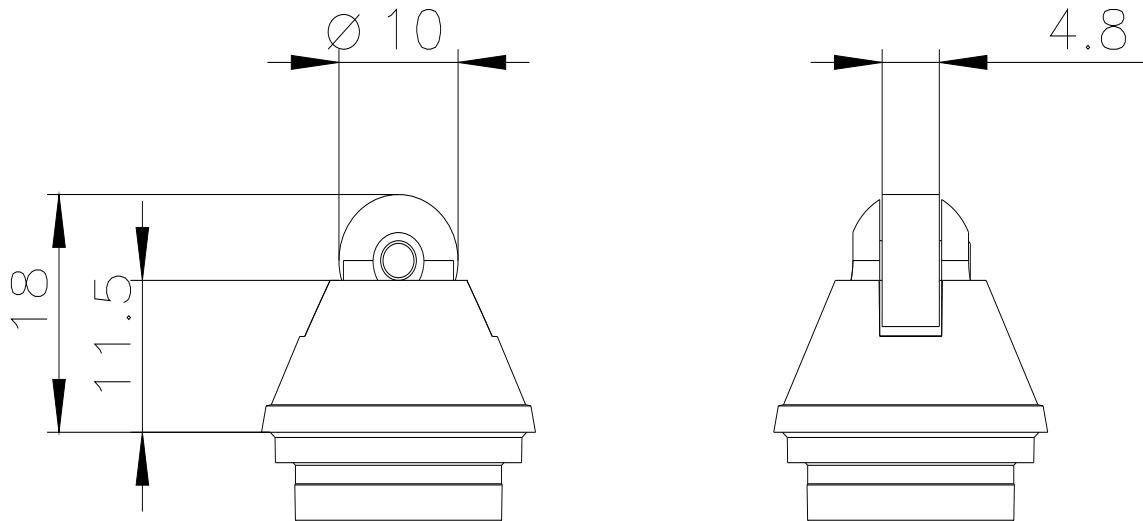
<http://support.automation.siemens.com/WW/CAXorder/default.aspx?lang=en&mlfb=3SE5000-0AD03>

Service&Support (Manuals, Certificates, Characteristics, FAQs,...)

<https://support.industry.siemens.com/cs/ww/en/ps/3SE5000-0AD03>

Image database (product images, 2D dimension drawings, 3D models, device circuit diagrams, EPLAN macros, ...)

[http://www.automation.siemens.com/bilddb/cax\\_de.aspx?mlfb=3SE5000-0AD03&lang=en](http://www.automation.siemens.com/bilddb/cax_de.aspx?mlfb=3SE5000-0AD03&lang=en)



last modified:

12/21/2020

