



twist lever for position switch 3SE51 Stainless steel lever 35 mm long, Step 9 mm with plastic roller 19 mm

product brand name	SIRIUS
product designation	actuator for part-turn actuator
product type designation	3SE5
manufacturer's article number	
<ul style="list-style-type: none"> <li>of the supplied operating lever</li> </ul>	<a href="#">3SE5000-0AA16</a>
<b>General technical data</b>	
product function positive opening	Yes
shock resistance	
<ul style="list-style-type: none"> <li>according to IEC 60068-2-27</li> </ul>	30g / 11 ms
vibration resistance	
<ul style="list-style-type: none"> <li>according to IEC 60068-2-6</li> </ul>	0.35 mm/5g
mechanical service life (operating cycles) typical	15 000 000
reference code according to IEC 81346-2	T
active principle	mechanical
Substance Prohibition (Date)	07/01/2006
<b>Ambient conditions</b>	
ambient temperature	
<ul style="list-style-type: none"> <li>during operation</li> <li>during storage</li> </ul>	-25 ... +85 °C -40 ... +90 °C
explosion protection category for dust	none
<b>Enclosure</b>	
coating of the enclosure	Other types
<b>Drive Head</b>	
design of the actuating element	Twist lever, high-grade steel lever, 35 mm long, step 9 mm, plastic roller 19 mm
standard-compliant actuator head	EN 50041, design A
shape of the switch head	roller
outer diameter of the switch head	19 mm
<b>Installation/ mounting/ dimensions</b>	
mounting position	any
fastening method	screw fixing
design of the interface for safety-related communication	without
<b>Communication/ Protocol</b>	
design of the interface	without
<b>Certificates/ approvals</b>	
General Product Approval	Functional Safety/Safety of Machinery



[Confirmation](#)



[KC](#)



[Type Examination Certificate](#)

Declaration of Conformity

Test Certificates

other



[Type Test Certificates/Test Report](#)

[Confirmation](#)

### Further information

Siemens has decided to exit the Russian market (see here).

<https://press.siemens.com/global/en/pressrelease/siemens-wind-down-russian-business>

Siemens is working on the renewal of the current EAC certificates.

Please contact your local Siemens office on the status of validity of the EAC certification if you intend to import or offer to supply these products to an EAC relevant market (other than the sanctioned EAEU member states Russia or Belarus).

Information on the packaging

<https://support.industry.siemens.com/cs/ww/en/view/109813875>

Information- and Downloadcenter (Catalogs, Brochures,...)

<https://www.siemens.com/ic10>

Industry Mall (Online ordering system)

<https://mall.industry.siemens.com/mall/en/en/Catalog/product?mlfb=3SE5000-0AA16>

Cax online generator

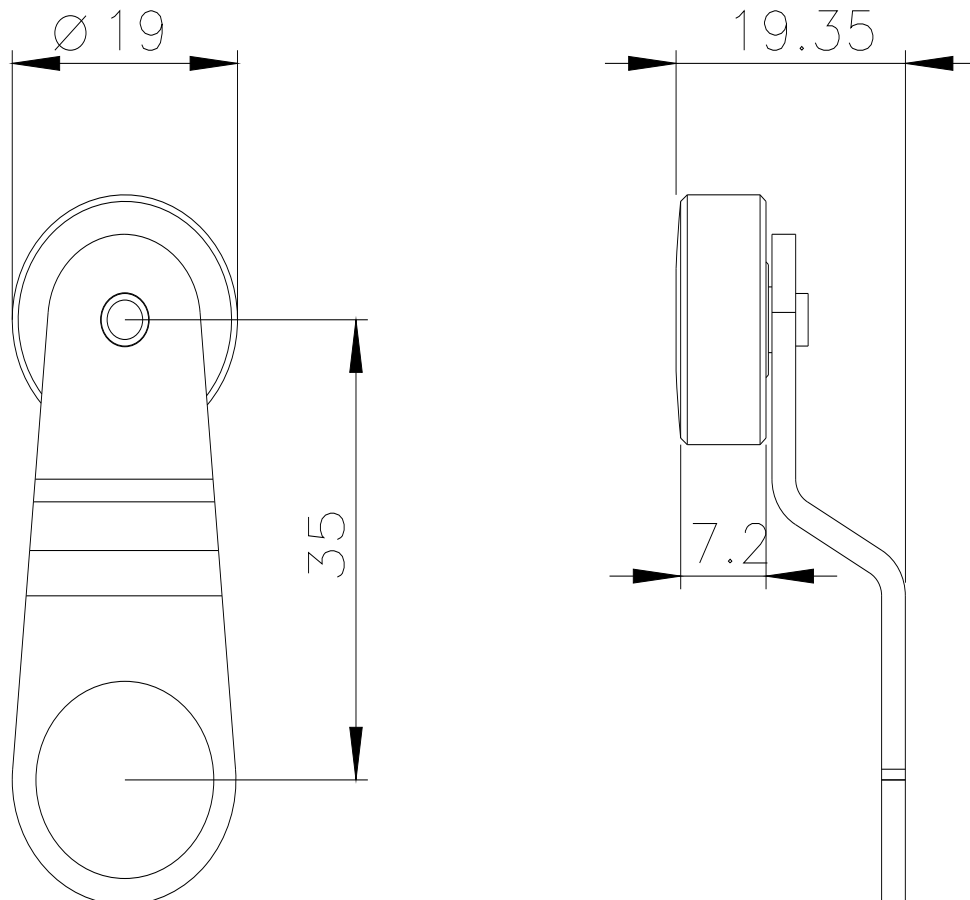
<http://support.automation.siemens.com/WW/CAXorder/default.aspx?lang=en&mlfb=3SE5000-0AA16>

Service&Support (Manuals, Certificates, Characteristics, FAQs,...)

<https://support.industry.siemens.com/cs/ww/en/ps/3SE5000-0AA16>

Image database (product images, 2D dimension drawings, 3D models, device circuit diagrams, EPLAN macros, ...)

[http://www.automation.siemens.com/bilddb/cax\\_de.aspx?mlfb=3SE5000-0AA16&lang=en](http://www.automation.siemens.com/bilddb/cax_de.aspx?mlfb=3SE5000-0AA16&lang=en)



last modified:

12/21/2020

