

Pedal switch 2 change-over contacts 2-pedal, without protective cover



Figure similar

product brand name	SIRIUS
product designation	momentary-contact foot switch
product type designation	3SE39
suitability for use safety switch	No
General technical data	
protection class IP	IP65
reference code according to IEC 81346-2	S
Substance Prohibitance (Date)	07/01/2006
number of switching steps	1
number of the actuation pedals	2
Ambient conditions	
ambient temperature during operation	-10 ... +75 °C
number of NC contacts for auxiliary contacts	0
number of NO contacts for auxiliary contacts	0
operational current at AC-15 at 230 V rated value	5 A
Enclosure	
material of the enclosure	plastic with total insulation
color	
• of the enclosure	black
• of the enclosure top part	black
Actuator	
product feature	
• interlock	No
• latching	No
cable entry type	cable, 3 m
Installation/ mounting/ dimensions	
fastening method	screw fixing
height	108 mm
width	212 mm
depth	34 mm
Certificates/ approvals	
General Product Approval	Declaration of Conformity



[Confirmation](#)



Test Certificates

Marine / Shipping

other

Further information

Siemens has decided to exit the Russian market (see here).

<https://press.siemens.com/global/en/pressrelease/siemens-wind-down-russian-business>

Siemens is working on the renewal of the current EAC certificates.

Please contact your local Siemens office on the status of validity of the EAC certification if you intend to import or offer to supply these products to an EAC relevant market (other than the sanctioned EAEU member states Russia or Belarus).

Information on the packaging

<https://support.industry.siemens.com/cs/ww/en/view/109813875>

Information- and Downloadcenter (Catalogs, Brochures,...)

<https://www.siemens.com/ic10>

Industry Mall (Online ordering system)

<https://mall.industry.siemens.com/mall/en/en/Catalog/product?mlfb=3SE3934-5CB20>

Cax online generator

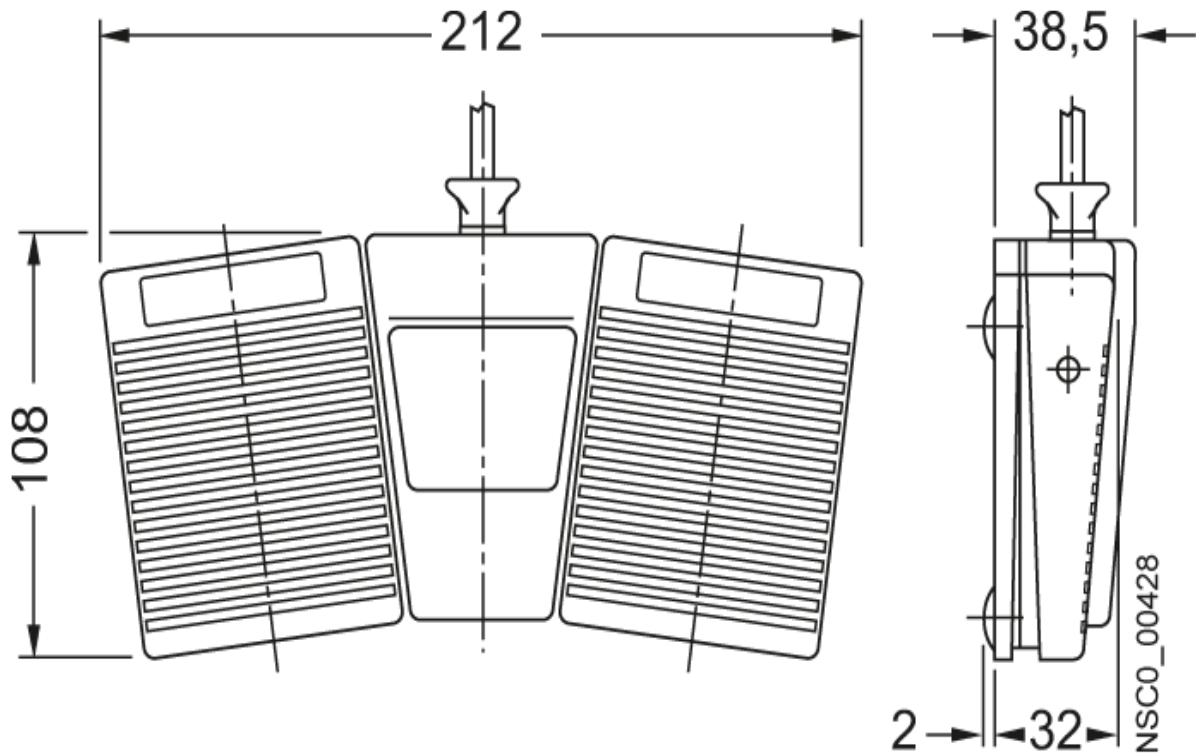
<http://support.automation.siemens.com/WWW/CAXorder/default.aspx?lang=en&mlfb=3SE3934-5CB20>

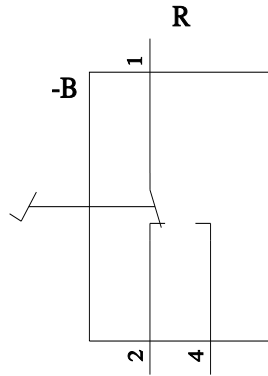
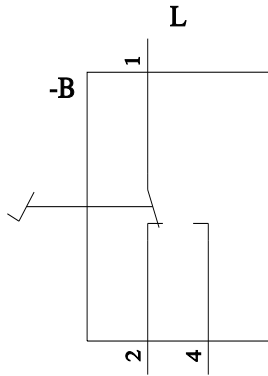
Service&Support (Manuals, Certificates, Characteristics, FAQs,...)

<https://support.industry.siemens.com/cs/ww/en/ps/3SE3934-5CB20>

Image database (product images, 2D dimension drawings, 3D models, device circuit diagrams, EPLAN macros, ...)

http://www.automation.siemens.com/bilddb/cax_de.aspx?mlfb=3SE3934-5CB20&lang=en





L	1	⊕ 6	YE = Yellow
	2	⊕ 7	GN = Green
	4	⊕ 5	OR = Orange
R	1	⊕ 3	BN = Brown
	2	⊕ 2	BK = Black
	4	⊕ 4	RD = Red

last modified:

2/12/2021 