

momentary-contact foot switch, 2-pedal with cover, without latching, metal enclosure IP65, cable entry M25 x 1.5 slow-action contacts 2 NO+2 NC per pedal

product brand name	SIRIUS	
product designation	momentary-contact foot switch	
product type designation	3SE29	
suitability for use safety switch	No	
General technical data		
protection class IP	IP65	
reference code according to IEC 81346-2	S	
Substance Prohibitance (Date)	07/01/2006	
SVHC substance name	Blei - 7439-92-1	
number of switching steps	1	
number of the actuation pedals	2	
minimum actuating force in directions of actuation	20 N	
Ambient conditions		
ambient temperature during operation	-25 ... +80 °C	
number of NC contacts for auxiliary contacts	1	
number of NO contacts for auxiliary contacts	1	
operational current at AC-15		
• at 230 V rated value	6 A	
• at 400 V rated value	6 A	
operational current at DC-13		
• at 24 V rated value	3 A	
• at 250 V rated value	0.25 A	
Enclosure		
material of the enclosure	metal	
color		
• of the enclosure	black	
• of the enclosure top part	grey	
Actuator		
product feature		
• interlock	No	
• latching	No	
cable entry type	M25 x 1.5	
Installation/ mounting/ dimensions		
height	140 mm	
width	284 mm	
depth	267 mm	
Safety related data		
B10 value with high demand rate according to SN 31920	1 000 000	
proportion of dangerous failures		
• with low demand rate according to SN 31920	50 %	
• with high demand rate according to SN 31920	50 %	
failure rate [FIT] with low demand rate according to SN 31920	100 FIT	
T1 value for proof test interval or service life according to IEC 61508	20 a	
Certificates/ approvals		
General Product Approval	Declaration of Conformity	Test Certificates



[Confirmation](#)



[Miscellaneous](#)



[Confirmation](#)

Further information

Siemens has decided to exit the Russian market (see here).

<https://press.siemens.com/global/en/pressrelease/siemens-wind-down-russian-business>

Siemens is working on the renewal of the current EAC certificates.

Please contact your local Siemens office on the status of validity of the EAC certification if you intend to import or offer to supply these products to an EAC relevant market (other than the sanctioned EAEU member states Russia or Belarus).

Information on the packaging

<https://support.industry.siemens.com/cs/ww/en/view/109813875>

Information- and Downloadcenter (Catalogs, Brochures,...)

<https://www.siemens.com/ic10>

Industry Mall (Online ordering system)

<https://mall.industry.siemens.com/mall/en/en/Catalog/product?mlfb=3SE2932-1AA20>

Cax online generator

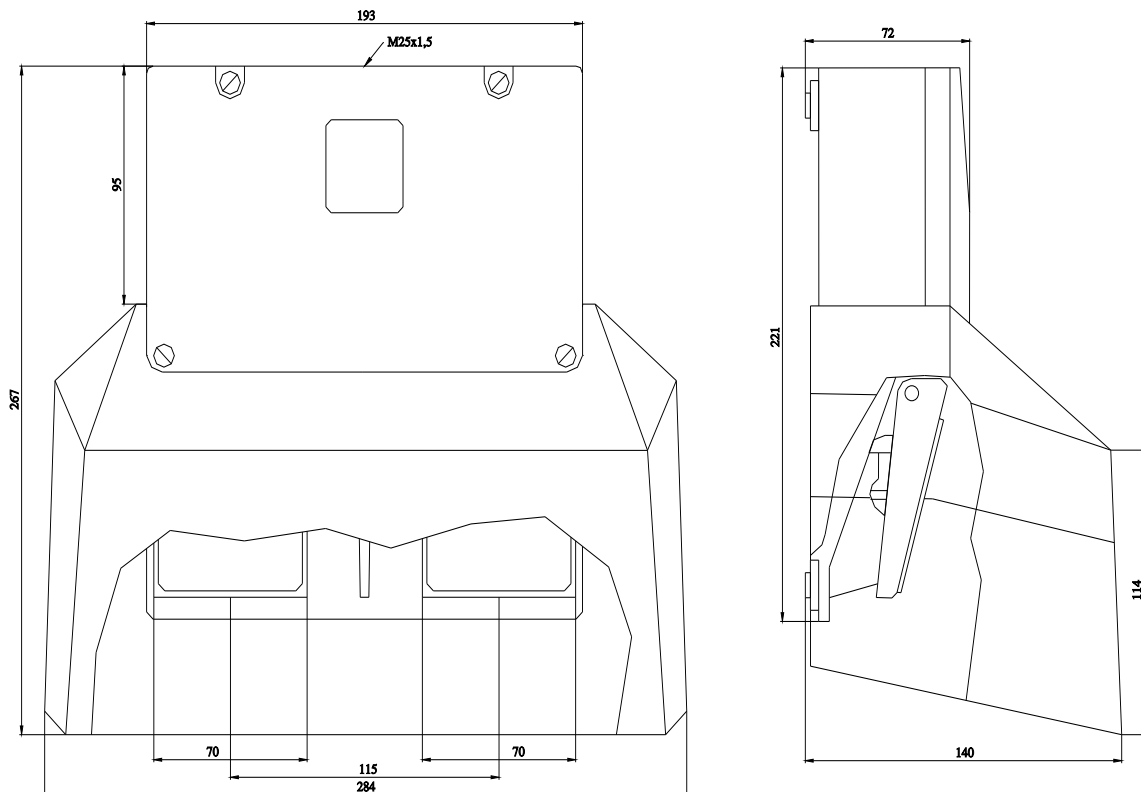
<http://support.automation.siemens.com/WW/CAXorder/default.aspx?lang=en&mlfb=3SE2932-1AA20>

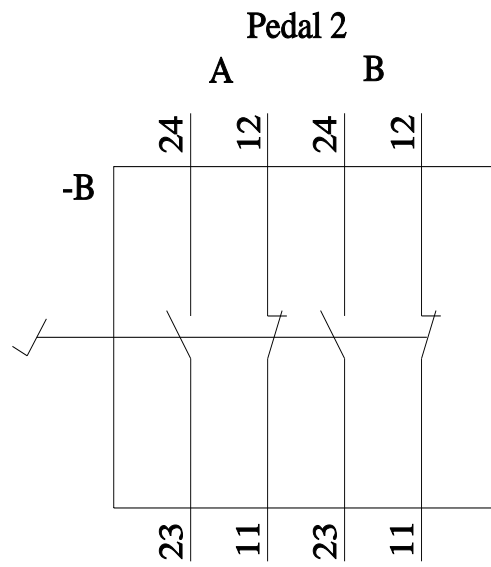
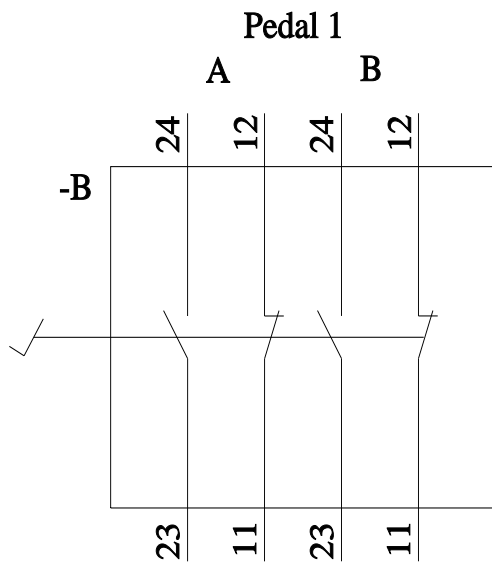
Service&Support (Manuals, Certificates, Characteristics, FAQs,...)

<https://support.industry.siemens.com/cs/ww/en/ps/3SE2932-1AA20>

Image database (product images, 2D dimension drawings, 3D models, device circuit diagrams, EPLAN macros, ...)

http://www.automation.siemens.com/bilddb/cax_de.aspx?mlfb=3SE2932-1AA20&lang=en





last modified:

9/5/2023