



Hinge switch Molded-plastic enclosure with stainless steel hinge 2 NC/1 NO, for 40 mm profiles Supplied with additional hinge and fixing material Actuating angle 4°

product brand name	SIRIUS
product designation	safety position switch
product type designation	3SE228
suitability for use safety switch	Yes
General technical data	
product function positive opening	Yes
insulation voltage rated value	250 V
surge voltage resistance rated value	4 kV
protection class IP	IP65
shock resistance	30g / 18 ms
vibration resistance	10 ... 200 Hz: 20g
mechanical service life (operating cycles) typical	1 000 000
thermal current	2.5 A
reference code according to IEC 81346-2	B
active principle	mechanical
Substance Prohibitance (Date)	07/01/2006
length of the sensor	92 mm
width of the sensor	111.5 mm
Ambient conditions	
ambient temperature	
• during operation	-25 ... +65 °C
explosion protection category for dust	none
design of the switching contact	mechanical
number of NC contacts for auxiliary contacts	2
number of NO contacts for auxiliary contacts	1
operational current at AC-15	
• at 125 V rated value	4.2 A
• at 230 V rated value	2 A
operational current at DC-13	
• at 24 V rated value	1 A
Enclosure	
design of the housing	special design
material of the enclosure	glass fiber reinforced thermoplast
coating of the enclosure	none
design of the housing according to standard	No
Drive Head	
design of the actuating element	rotary actuator
design of the switching function	positive opening
circuit principle	slow-action contacts
number of switching contacts safety-related	2

cable entry type	2x (M20 x 1.5)
Installation/ mounting/ dimensions	
fastening method	screw fixing
Connections/ Terminals	
type of electrical connection	screw-type terminals
type of connectable conductor cross-sections	
• finely stranded with core end processing	1x (0,5 ... 1 mm ²)
design of the interface for safety-related communication	without
Communication/ Protocol	
design of the interface	without
Certificates/ approvals	
General Product Approval	Test Certificates



EG-Konf.

[Confirmation](#)



UL



[Miscellaneous](#)

Marine / Shipping

other



DNV



LRS



PRS

[Confirmation](#)

Further information

Siemens has decided to exit the Russian market (see here).

<https://press.siemens.com/global/en/pressrelease/siemens-wind-down-russian-business>

Siemens is working on the renewal of the current EAC certificates.

Please contact your local Siemens office on the status of validity of the EAC certification if you intend to import or offer to supply these products to an EAC relevant market (other than the sanctioned EAEU member states Russia or Belarus).

Information on the packaging

<https://support.industry.siemens.com/cs/ww/en/view/109813875>

Information- and Downloadcenter (Catalogs, Brochures,...)

<https://www.siemens.com/ic10>

Industry Mall (Online ordering system)

<https://mall.industry.siemens.com/mall/en/en/Catalog/product?mlfb=3SE2283-0GA44>

Cax online generator

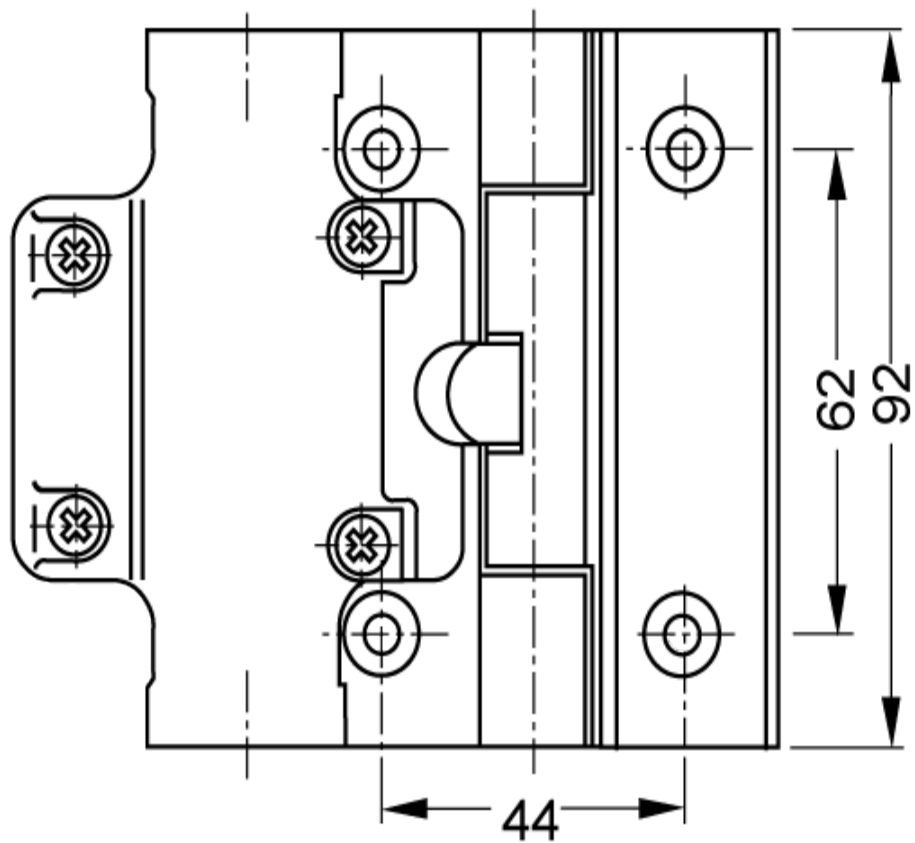
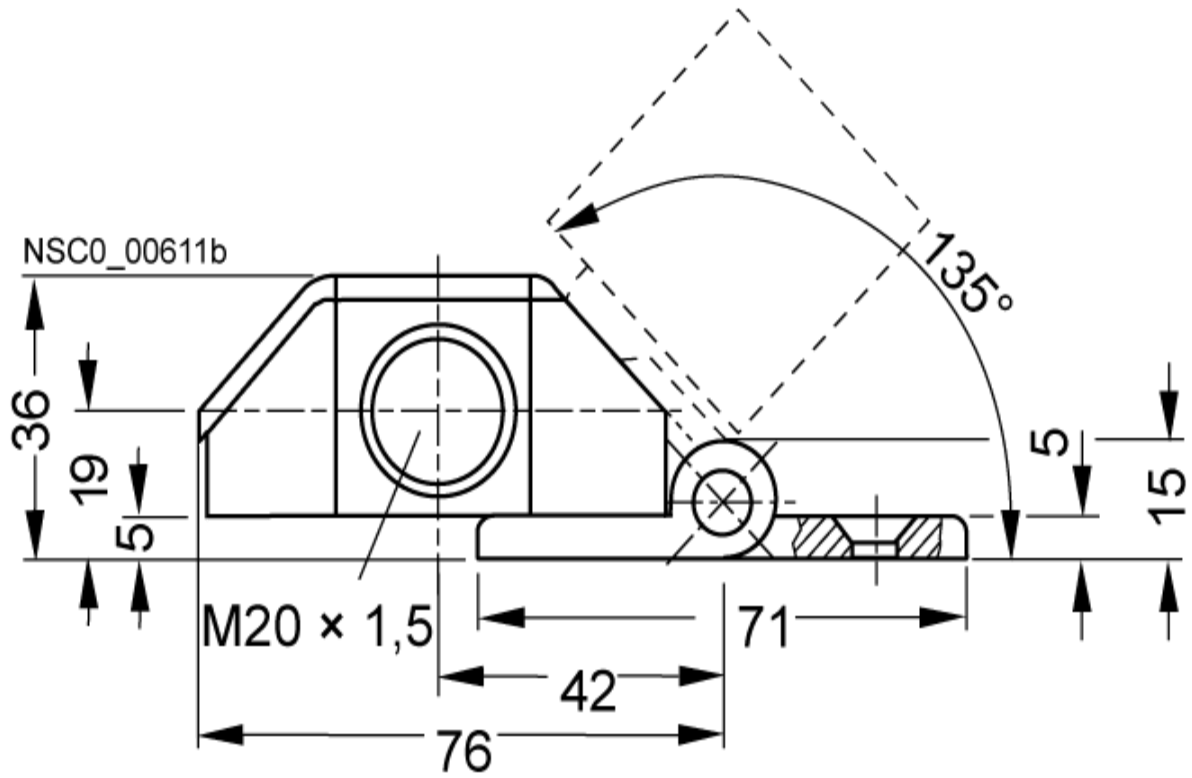
<http://support.automation.siemens.com/WW/CAXorder/default.aspx?lang=en&mlfb=3SE2283-0GA44>

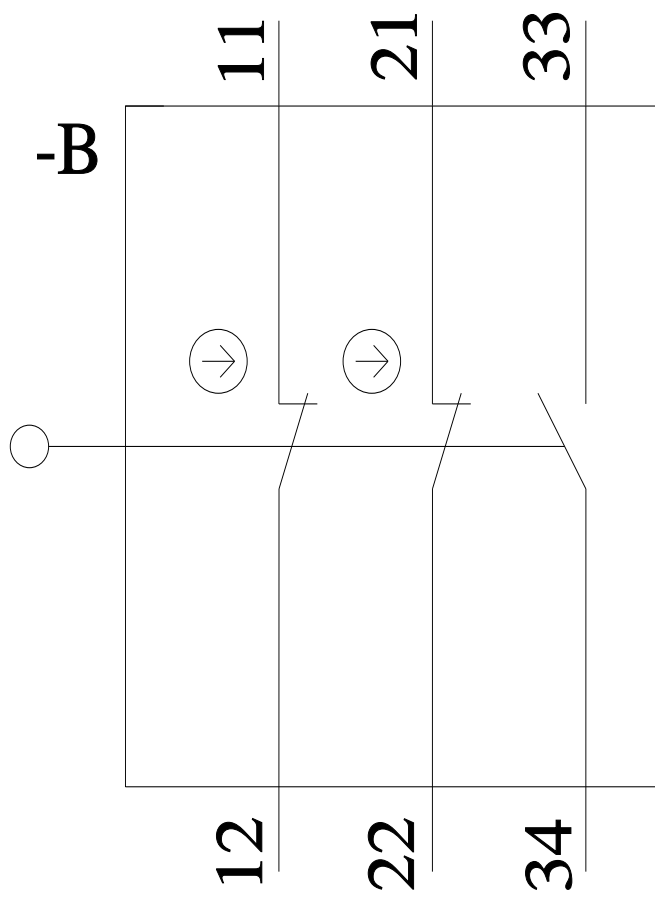
Service&Support (Manuals, Certificates, Characteristics, FAQs,...)

<https://support.industry.siemens.com/cs/ww/en/ps/3SE2283-0GA44>

Image database (product images, 2D dimension drawings, 3D models, device circuit diagrams, EPLAN macros, ...)

http://www.automation.siemens.com/bilddb/cax_de.aspx?mlfb=3SE2283-0GA44&lang=en





last modified:

1/26/2022 ↻