



Contact block, 1 NO, with safety spring, flat connector terminal

product brand name	SIRIUS
product designation	contact block
product type designation	3SB2
Contact block/ lampholder	
number of lampholders	0
General technical data	
product function positive opening	No
suitability for integration	pushbutton / selector button
type of voltage	
• of the operating voltage	AC/DC
protection class IP	
• of the enclosure	IP40
• of the terminal	IP00
reference code according to IEC 81346-2	S
Substance Prohibition (Date)	07/01/2006
operating voltage	
• at AC	
— at 50 Hz rated value	5 ... 230 V
— at 60 Hz rated value	5 ... 230 V
• at DC rated value	5 ... 230 V
Auxiliary circuit	
number of NC contacts for auxiliary contacts	1
number of NO contacts for auxiliary contacts	0
number of CO contacts for auxiliary contacts	0
operational current at AC-12	
• at 24 V rated value	10 A
• at 60 V rated value	10 A
• at 110 V rated value	10 A
• at 230 V rated value	10 A
operational current at AC-15	
• at 24 V rated value	4 A
• at 110 V rated value	4 A
• at 230 V rated value	4 A
operational current at DC-12	
• at 24 V rated value	6 A
• at 60 V rated value	5 A
• at 110 V rated value	2.5 A
• at 230 V rated value	1 A
operational current at DC-13	
• at 24 V rated value	3 A

- at 60 V rated value 1.2 A
- at 110 V rated value 0.7 A
- at 230 V rated value 0.3 A

Connections/ Terminals

type of electrical connection tab terminals

Ambient conditions

ambient temperature

- during operation -25 ... +70 °C
- during storage -40 ... +80 °C

Installation/ mounting/ dimensions

fastening method clip-on

height 19 mm

width 8 mm

depth 31 mm

Approvals Certificates

General Product Approval

Declaration of Con-
formity



KC



Declaration of Con-
formity

other



[Confirmation](#)

Further information

Siemens has decided to exit the Russian market (see here).

<https://press.siemens.com/global/en/pressrelease/siemens-wind-down-russian-business>

Siemens is working on the renewal of the current EAC certificates.

Please contact your local Siemens office on the status of validity of the EAC certification if you intend to import or offer to supply these products to an EAC relevant market (other than the sanctioned EAEU member states Russia or Belarus).

Information on the packaging

<https://support.industry.siemens.com/cs/ww/en/view/109813875>

Information- and Downloadcenter (Catalogs, Brochures,...)

<https://www.siemens.com/ic10>

Industry Mall (Online ordering system)

<https://mall.industry.siemens.com/mall/en/en/Catalog/product?mlfb=3SB2404-0D>

Cax online generator

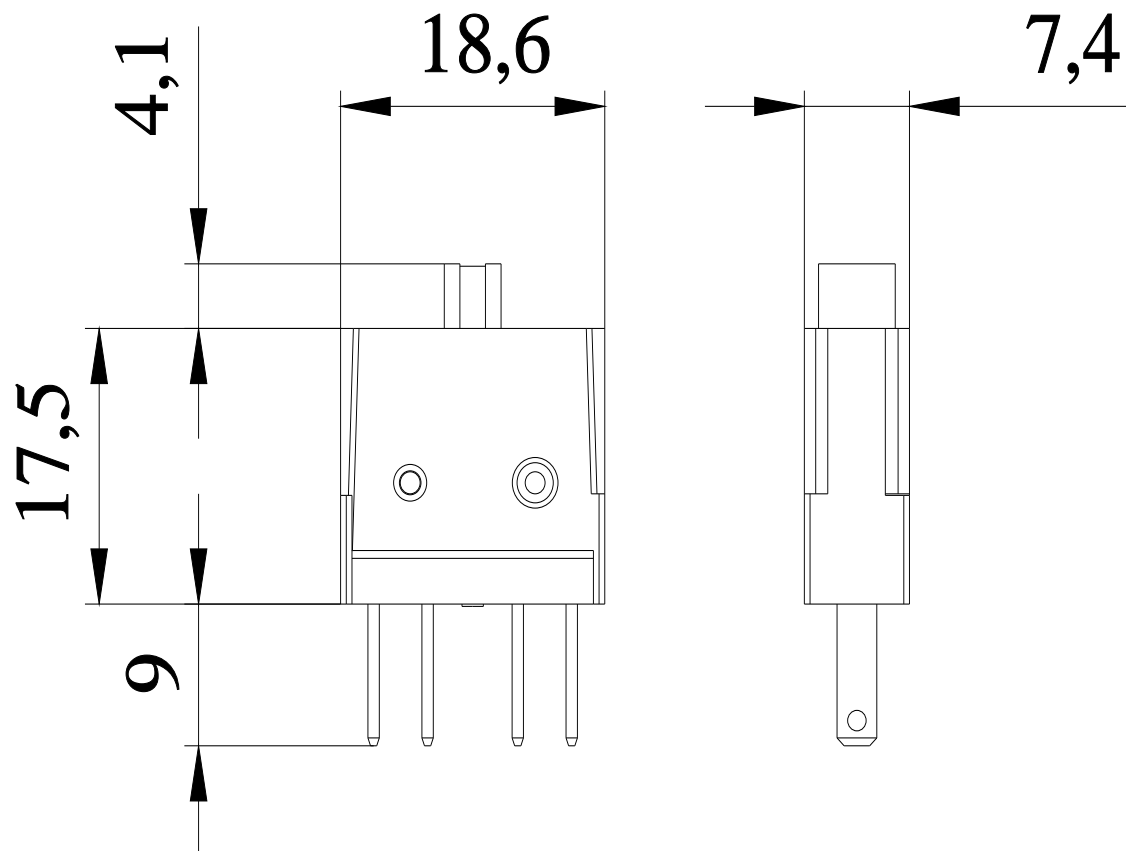
<http://support.automation.siemens.com/WWW/CAXorder/default.aspx?lang=en&mlfb=3SB2404-0D>

Service&Support (Manuals, Certificates, Characteristics, FAQs,...)

<https://support.industry.siemens.com/cs/ww/en/ps/3SB2404-0D>

Image database (product images, 2D dimension drawings, 3D models, device circuit diagrams, EPLAN macros, ...)

http://www.automation.siemens.com/bilddb/cax_de.aspx?mlfb=3SB2404-0D&lang=en



last modified:

1/6/2021 