



Emergency stop mushroom pushbutton, 16 mm, round, plastic, red latching, with rotate-to-unlatch mechanism, according to ISO 13850

| | |
|---|---|
| product brand name | SIRIUS |
| product designation | EMERGENCY STOP mushroom pushbuttons |
| design of the product | Single device round with positive latching in accordance with ISO 13850 |
| product type designation | 3SB2 |
| Enclosure | |
| number of command points | 1 |
| Actuator | |
| design of the actuating element | EMERGENCY STOP mushroom pushbutton |
| principle of operation of the actuating element | latching |
| product extension optional light source | No |
| color of the actuating element | red |
| material of the actuating element | plastic |
| outer diameter of the actuating element | 28.5 mm |
| type of unlocking device | rotate-to-unlatch mechanism |
| number of switching positions | 2 |
| Front ring | |
| product component front ring | No |
| Holder | |
| material of the holder | Plastic |
| General technical data | |
| product function | |
| • EMERGENCY OFF function | Yes |
| • EMERGENCY STOP function | Yes |
| protection class IP | IP65 |
| operating frequency maximum | 1 000 1/h |
| mechanical service life (operating cycles) typical | 300 000 |
| reference code according to IEC 81346-2 | S |
| Substance Prohibitance (Date) | 07/01/2006 |
| Connections/ Terminals | |
| tightening torque of the screws in the bracket | 0.4 N·m |
| Safety related data | |
| B10 value with high demand rate according to SN 31920 | 100 000 |
| proportion of dangerous failures | |
| • with low demand rate according to SN 31920 | 20 % |
| • with high demand rate according to SN 31920 | 20 % |
| failure rate [FIT] with low demand rate according to SN 31920 | 100 FIT |
| Ambient conditions | |
| ambient temperature | |
| • during operation | -25 ... +70 °C |
| • during storage | -40 ... +80 °C |

| | |
|--|----------------------|
| environmental category during operation according to IEC 60721 | 3K6 |
| Installation/ mounting/ dimensions | |
| fastening method | front plate mounting |
| shape of the installation opening | round |
| mounting diameter | 16 mm |
| mounting height | 21 mm |
| installation width | 28.5 mm |
| installation depth | 50 mm |

Approvals Certificates

| | | |
|--------------------------|---------------------------|-------------------|
| General Product Approval | Declaration of Conformity | Test Certificates |
|--------------------------|---------------------------|-------------------|



[Special Test Certificate](#)

| | |
|-------------------|-------|
| Test Certificates | other |
|-------------------|-------|

[Type Test Certificates/Test Report](#)

[Miscellaneous](#)

[Confirmation](#)

Further information

Siemens has decided to exit the Russian market (see here).

<https://press.siemens.com/global/en/pressrelease/siemens-wind-down-russian-business>

Siemens is working on the renewal of the current EAC certificates.

Please contact your local Siemens office on the status of validity of the EAC certification if you intend to import or offer to supply these products to an EAC relevant market (other than the sanctioned EAEU member states Russia or Belarus).

Information on the packaging

<https://support.industry.siemens.com/cs/ww/en/view/109813875>

Information- and Downloadcenter (Catalogs, Brochures,...)

<https://www.siemens.com/ic10>

Industry Mall (Online ordering system)

<https://mall.industry.siemens.com/mall/en/en/Catalog/product?mlfb=3SB2000-1AC01>

Cax online generator

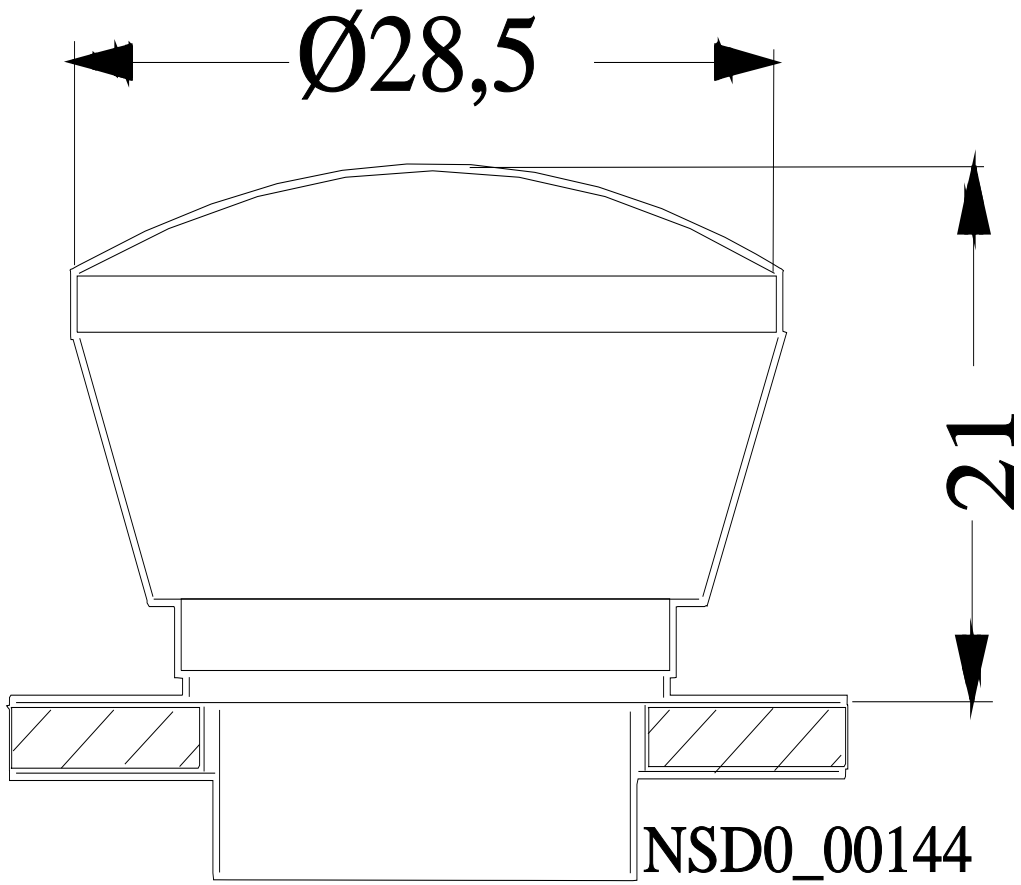
<http://support.automation.siemens.com/WWW/CAXorder/default.aspx?lang=en&mlfb=3SB2000-1AC01>

Service&Support (Manuals, Certificates, Characteristics, FAQs,...)

<https://support.industry.siemens.com/cs/ww/en/ps/3SB2000-1AC01>

Image database (product images, 2D dimension drawings, 3D models, device circuit diagrams, EPLAN macros, ...)

http://www.automation.siemens.com/bilddb/cax_de.aspx?mlfb=3SB2000-1AC01&lang=en



last modified:

1/26/2022 