



AS-Interface M12 branch U_ASI without Uaux, with M12 socket

General technical data		
Type of device		AS-Interface accessories
design of the product		AS-i M12 branch
Function		AS-i flat cable transition to M12
operating voltage according to AS-Interface specification	V	26.5 ... 31.6
Number sockets		1
Connections/ Terminals		
type of electrical connection		insulation piercing method for AS-Interface flat cable
AS interface		
• Connection		1x M12 socket
Inputs		
Inputs socket assignment		1 = AS-i "+" 3=AS-i "-"
Mechanical data		
Type of mounting		screw fixing
Contacts Load rating max	A	2
Ambient conditions		
ambient temperature	°C	-25 ... +60
ambient temperature during storage	°C	-25 ... +85
degree of protection		IP67
Certificates/ approvals		
General Product Approval	Marine / Shipping	other

[Confirmation](#)



[Confirmation](#)

Further information

Siemens has decided to exit the Russian market (see here).

<https://press.siemens.com/global/en/pressrelease/siemens-wind-down-russian-business>

Siemens is working on the renewal of the current EAC certificates.

Please contact your local Siemens office on the status of validity of the EAC certification if you intend to import or offer to supply these products to an EAC relevant market (other than the sanctioned EAEU member states Russia or Belarus).

Information on the packaging

<https://support.industry.siemens.com/cs/ww/en/view/109813875>

Information- and Downloadcenter (Catalogs, Brochures,...)

<https://www.siemens.com/ic10>

Industry Mall (Online ordering system)

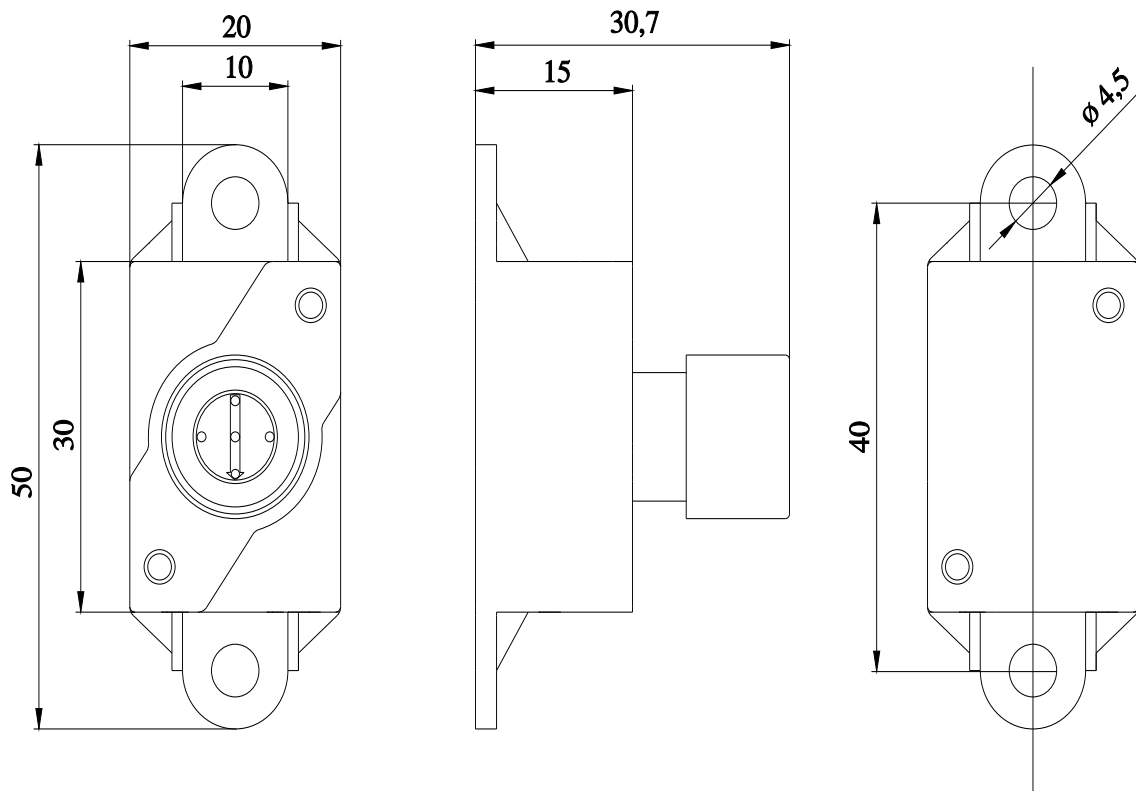
<https://mall.industry.siemens.com/mall/en/en/Catalog/product?mlfb=3RX9801-0AA00>

Cax online generator

<http://support.automation.siemens.com/WWW/CAXorder/default.aspx?lang=en&mlfb=3RX9801-0AA00>

Service&Support (Manuals, Certificates, Characteristics, FAQs,...)

<https://support.industry.siemens.com/cs/ww/en/ps/3RX9801-0AA00>



last modified:

12/23/2020 